

Securitron® EH Electric Hinge

*Double duty hinge for
streamlined power transfer*



The Securitron EH is an efficient, discreet, concealed solution that provides secure power and data transfer from frame to door when streamlined wiring is needed.

Each hinge features concealed plug connectors that eliminate separate or exposed wiring. Ultimate concealment for tamper-resistance.

Features

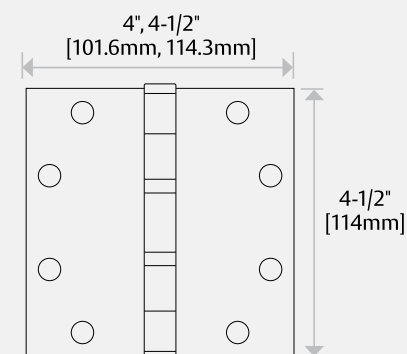
Standard Features

- Transfer power with the highest level of concealment
- Produces the most aesthetically pleasing appearance
- Available in 4-1/2" [114.3mm] or 4" [101.6mm] hinge length
- 500 mA power capability
- 6 conductor, 28 gauge wire
- 6" [152.4mm] pigtail provided for connections
- MagnaCare® lifetime replacement, no-fault, no questions asked warranty

Shipping Weight

- 1.10 lbs [0.50 kg]

Dimensions



How to Order

MODEL SERIES	SIZE
EH	- 45
EH Electric Hinge	40 4" Length
	45 4.5" Length



MagnaCare
Warranty