

# 7100 Series

Heavy Duty Architectural  
Door Control



# 7100 SERIES

## Heavy Duty Architectural Door Control

### SUGGESTED ARCHITECTURAL SPECIFICATIONS

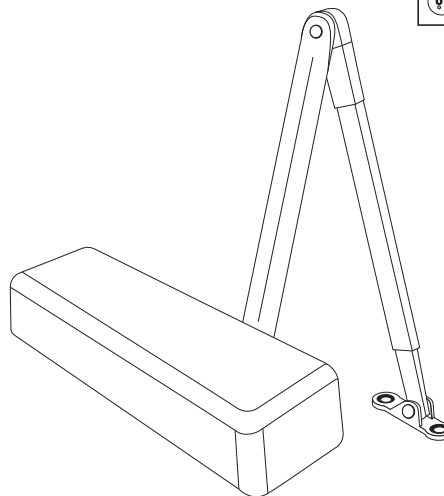
All door closers shall be PDQ Industries, Inc. 7100 Series with full rack and pinion construction, heavy duty cast iron closer body, forged steel main arm and full architectural cover. Hydraulic control shall be through separate hex key non-critical sweep, latch and backcheck valve adjustment. Backcheck positioning valve to provide consistent backcheck range on parallel arm applications. Optional delayed action (in lieu of backcheck) to be effective from maximum opening to approximately 70 degrees. Closers shall be non-handed,

suitable for regular, top jamb and parallel arm applications with fasteners for wood and metal doors and frames. Sex nuts and bolts shall be furnished standard. Spring adjustment to be provided throughout a range of sizes 1-6 and capable of meeting barrier free force restrictions. All products to carry a 25-year manufacturer's limited warranty. Closers shall be listed by U.L./U.L.C., comply with UL 10C and UBC 7-2 (1997) for positive pressure and certified to ANSI A156.4 Grade 1.

### SPECIFICATIONS – 7100 SERIES

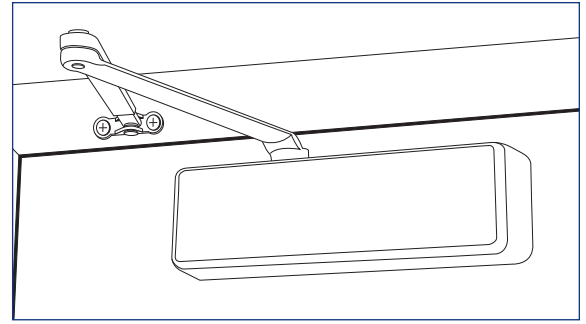
<b>HANDING:</b>	Non-handed
<b>OPERATION:</b>	Rack and pinion design
<b>BODY:</b>	High strength cast iron
<b>ARM:</b>	Forged steel main arm / Flat style arm assembly / Optional hold open arm / Optional DS/DSHO heavy parallel duty stop arm
<b>ADJUSTMENT:</b>	Adjustable controlled closing / Separate hydraulic backcheck standard / Backcheck positioning valve standard / Separate sweep, latch, backcheck intensity and backcheck positioning valves / Optional delayed action (in lieu of backcheck)
<b>SIZE:</b>	Adjustable size 1-6
<b>MOUNTING:</b>	Tri-packed for regular, top jamb and parallel arm installations / Fasteners for wood and metal doors and frames / Sex nuts and bolts standard / Retrofits LCN 4040 Series / Self drilling, self tapping screws available
<b>COVER:</b>	Full plastic cover supplied standard (non-handed)
<b>FINISHES:</b>	Sprayed aluminum, dark duranodic bronze and gold / Optional polished brass and polished chrome architectural finishes
<b>CERTIFICATION:</b>	▶ U.L. and U.L.C. listed / Complies with UL 10C and UBC 7.2 (1997) ▶ Certified ANSI A-156.4-2000 Grade 1 / Meets the requirements of ANSI A117.1 and ADA.
<b>WARRANTY:</b>	Twenty-five (25) year limited warranty
<b>COUNTRY OF ORIGIN:</b>	This product meets the requirement of the "Buy American Act"

### 7100 SERIES



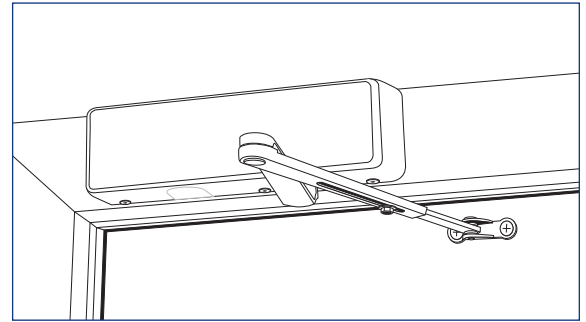
## REGULAR ARM

Regular arm mount is a pull side application with double lever arm. The closer mounts on the door and the arm mounts to the frame. It provides the most efficient operation for a door control and is commonly used on in-swing doors from corridors or other interior doors. Regular arm mount is a poor choice for exterior out-swinging doors as it would put the closer on the exterior of the building. The arm assembly projects directly out from the frame. That may be a concern for vandalism or aesthetics. Regular arm application can be used with non-hold open or hold open arms.



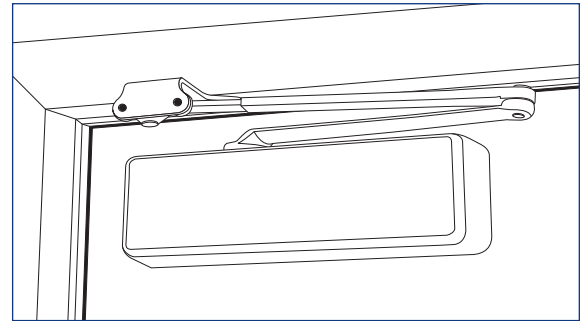
## TOP JAMB

Top jamb mount is a push side double lever arm application that offers the best alternative to regular arm mount. The closer mounts to the frame and the arm mounts to the door. This application is commonly used on exterior out-swinging doors. It is a poor application for in-swinging doors from a corridor as it places the closer arm in a visible application projecting into the corridor. The arm projects out similar to regular arm mount. Therefore, it can be a concern for vandalism or aesthetics. Top jamb application can be used with non-hold open or hold open arms.



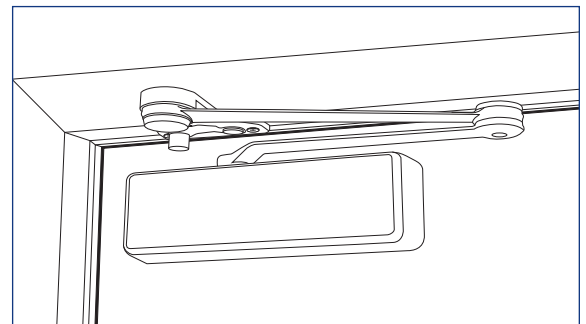
## PARALLEL ARM

Parallel arm mount is a push side double lever arm application. The closer is installed on the push side of the door and the arm is mounted to a parallel arm adapter plate installed to the frame soffit. The arm is approximately parallel with the face of the door, eliminating the projection condition evident with regular arm and top jamb applications. Parallel arm is often preferred where aesthetics or vandalism are concerns. Parallel arm is less efficient than regular or top jamb mounts due to the geometry of the arm. Parallel arm application can be used with non-hold open or hold open arms.



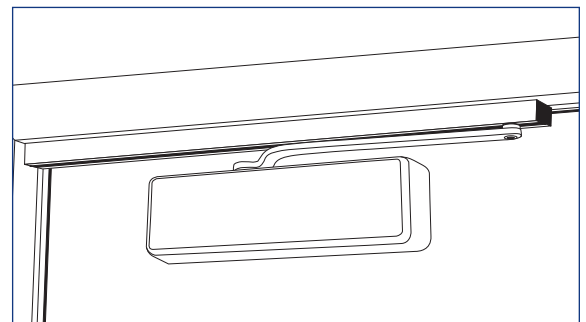
## PARALLEL ARM (DS/DSHO) STOP ARM

The parallel stop arm mount is an enhanced version of the parallel arm application. It is similar to the parallel arm mount but incorporates a heavy duty rigid arm and soffit plate with limiting dead stop. The dead stop feature is field handed. The closer's backcheck function should be adjusted to cushion the impact of the stop. The parallel stop arm is intended for use where an auxiliary stop cannot be utilized. The parallel stop arm is available in non-hold open (DS) and hold open (DSHO) applications.

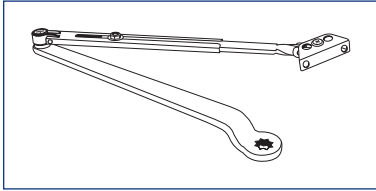


## TRACK ARM (TA)

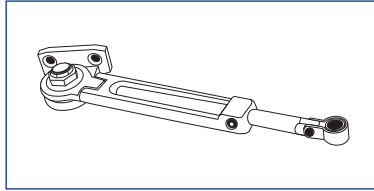
The Non Handed Track arm mount incorporates a single forged main arm for installation in high use, high abuse door applications. It's low profile helps prevent damage.



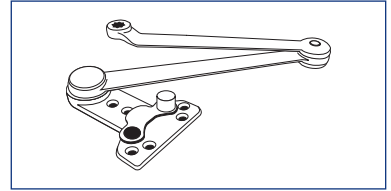
# ACCESSORIES/OPTIONS



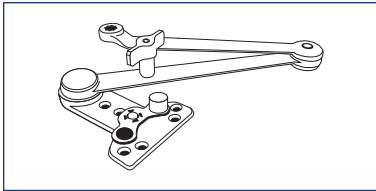
**REGULAR ARM - RA** Complete arm assembly with stamped steel main arm and flat form style arm and shoe assembly. (#719003)\*\*



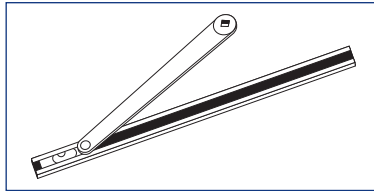
**HOLD OPEN ARM - HO** Friction hold open arm assembly. Provides single point hold open from maximum opening to approximately 80 degrees. (#719002)\*\*\*



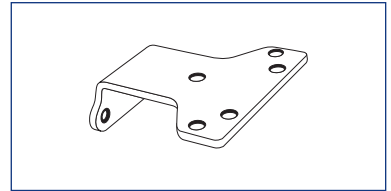
**DOOR SAVER ARM - DS** Enhanced version of parallel arm application. Heavy duty rigid arm assembly and soffit plate with field reversible dead stop. Non-hold open version. (#719005)\*\*\*\*



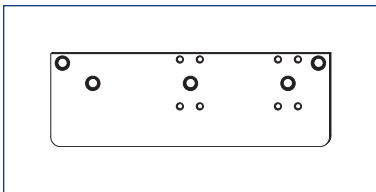
**DOOR SAVER HOLD OPEN - DSHO** Similar to DS arm but incorporates a thumb turn hold open function. (#719016)\*\*\*\*



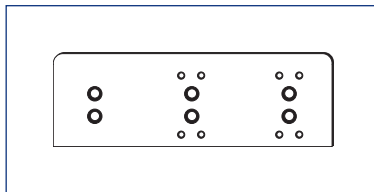
**TRACK ARM - TA** Heavy duty non-handed track arm for mounting on interior doors. Ideal for high use door. (#719025)



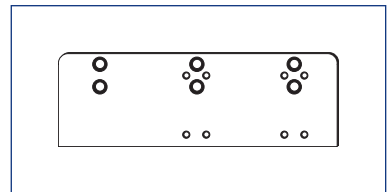
**PARALLEL ARM BRACKET - PA** Bracket used when mounting parallel arm with regular arm non-hold open assembly. (#719001)\*\*



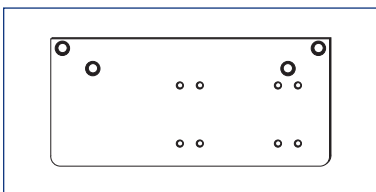
**BACK PLATE - BP** For top jamb mount with limited overhead clearance or regular arm to clear a mortised stop/holder. (#719008)



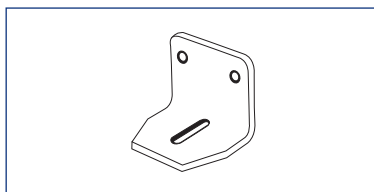
**TOP JAMB BACK PLATE - BPTJ** For top jamb mount with limited overhead clearance or to provide clearance for a surface applied stop/holder. (#719024)



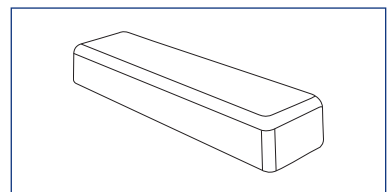
**TOP JAMB DROP PLATE - DPTJ** For top jamb mount with limited overhead clearance or to provide clearance for a surface applied stop/holder. (#719023)



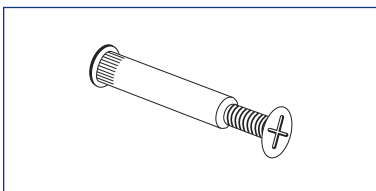
**PARALLEL ARM DROP PLATE - DPPA** For parallel arm mount with narrow top door rail. (#719018)



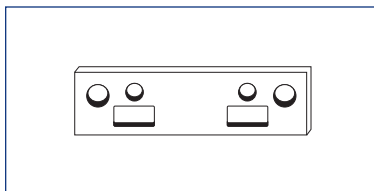
**NARROW FRAME BRACKET - NFB** Used with DS/DSHO applications where narrow frame conditions require additional reinforcement of soffit plate. (#719011)



**FULL PLASTIC COVER - FC** Full plastic cover, non-handed. (#719006)



**SEX NUTS AND BOLTS - SNB** Recommended for unreinforced wood or composite labeled fire doors. For 1-3/4" thick doors only. (#719004)\*



**BLADE STOP - BS** Kit includes longer fasteners and 1/2" metal spacer for use with 1/2" blade stops commonly found in store front aluminum doors. (#999026)

\*Included with all closers

\*\*Included with PA designation

\*\*\*Included with HO designation

\*\*\*\*Included with DS/DSHO designation

## HOW TO ORDER

SERIES		SIZE		APPLICATION		TRIM	
Closer Series		Adjustable Size 1-6		PA – Tri-Pack (standard) HO – Hold Open, Tri-Pack DS – Door Saver Arm DSHO – Door Saver Hold Open Arm TA – Track Arm		Blank – SNB (standard) BP – Back Plate BPTJ – Top Jamb Back Plate DPTJ – Top Jamb Drop Plate DPPA – Parallel Arm Drop Plate NFB – Narrow Frame Bracket	
71	0	1	BC	PA	689	BP	
0 – Non-Delayed Action 4 – Delayed Action (in lieu of backcheck)		BC – Adjustable Hydraulic Backcheck (Standard)  Backcheck Positioning (Standard)		689 – Aluminum 695 – Duro Bronze 696 – Gold 605 – Polished Brass 625 – Polished Chrome			
<b>DELAYED ACTION</b>		<b>BACKCHECK</b>		<b>FINISH</b>			

## SIZE SELECTOR

CLOSER SIZE (Unit can be adjusted to the following sizes. See instructions enclosed with closer)	INTERIOR	EXTERIOR
1	—	—
2	2'10"	8.5 lbf.
3	3'2"	2'6"
4	4'0"	3'0"
5	4'6"	3'6"
6	5'0"	4'0"

Note: 7100 Series Closers can be installed and adjusted to meet 5 lbf. and 8.5 lbf. barrier free applications. However, it can not be guaranteed the door will close and latch while complying with barrier free restrictions.

## CROSS REFERENCE

AMERICAN EAGLE	CAL ROYAL	CORBIN/RUSSWIN	DOR-O-MATIC	DORMA	HAGER	LCN	NORTON	SARGENT	YALE	TELL
7100	CR441	DC6200	SC70	8900	5100	4040	7500	350	4400	900

No products are exactly alike. This cross reference represents our judgement of products that are most similar. Information has been obtained from trade sources. It is not represented nor guaranteed that any product exactly equals any other product.



**PO Box 507 2754 Creek Hill Road Leola PA 17540**  
**800 441 9692 • 717 656 4281 • 717 656 6892 Fax**  
**[www.pdqlocks.com](http://www.pdqlocks.com)**

PDQ'S 7100 Series Brochures are now printed entirely on Forest Stewardship Council™ certified paper. FSC Certification ensures that the paper used in this catalog contains fiber from well-managed and responsibly harvested forests that meet strict environmental and socioeconomic standards. We're proud to be one of the first hardware manufacturers in the country to make this significant move to help our environment. The FSC logo on our brochure signals not only FSC Certification, but also PDQ's commitment to improving the environment.

