



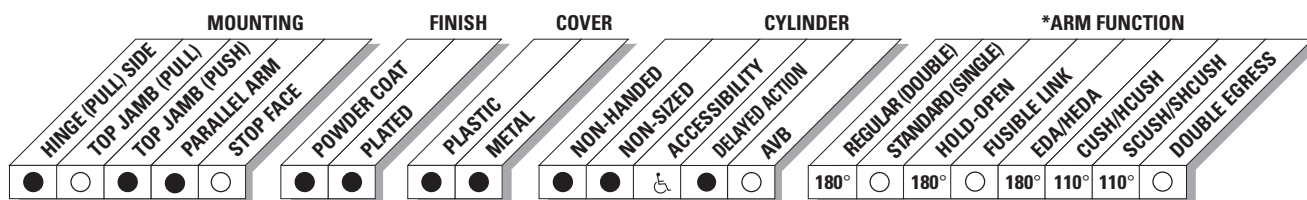
The 4050 Series cast aluminum closer is engineered for durability and built tough to excel in the harsh environments of high frequency, high abusive traffic areas. Ideal for commercial building applications and competitive specification situations that demand a combination of quality, reliability and value. The cast aluminum door closer offers premium features like powder coating, full complement bearing, All Weather Fluid and a 25 year warranty.

Certifications	Grade 1 - ANSI A156.4, UL 10C, ADA, 100 Hour Salt Spray, Meets BAA - Buy American Act
Body Construction	<ul style="list-style-type: none"> ■ Cast Aluminum Body ■ Full Complement Bearings ■ 1-1/2" Diameter Piston ■ 11/16" Diameter Double Heat Treated Pinion Journal
Fluid	All Weather Liquid X Fluid
Handing	Non-Handed
Templating	Peel-n-Stick templates - 2-3/8" x 6-3/4" Mounting Hole Pattern
Size	Adjustable spring size 1-6
Warranty	25 years

Cover	<ul style="list-style-type: none"> ■ Plastic, Standard ■ Metal, Optional
Fasteners	Self Reaming and Tapping Screws (SRT)
Mounting	Hinge (Pull Side), Top Jamb (Push Side), Parallel Arm (Push Side)
Arms	Standard Regular Arm
Finishes/Colors/ Powder Coat	<ul style="list-style-type: none"> ■ Aluminum (689) ■ Statuary Bronze (690) ■ Light Bronze (691) ■ Black (693) ■ Dark Bronze (695) ■ Brass (696) ■ Custom colors optional
	<ul style="list-style-type: none"> ■ Optional SRI primer - powder coat only ■ Optional plated finishes

Special Templates

Customized installation templates or products may be available to solve unusual applications. Contact LCN Product Support for assistance.



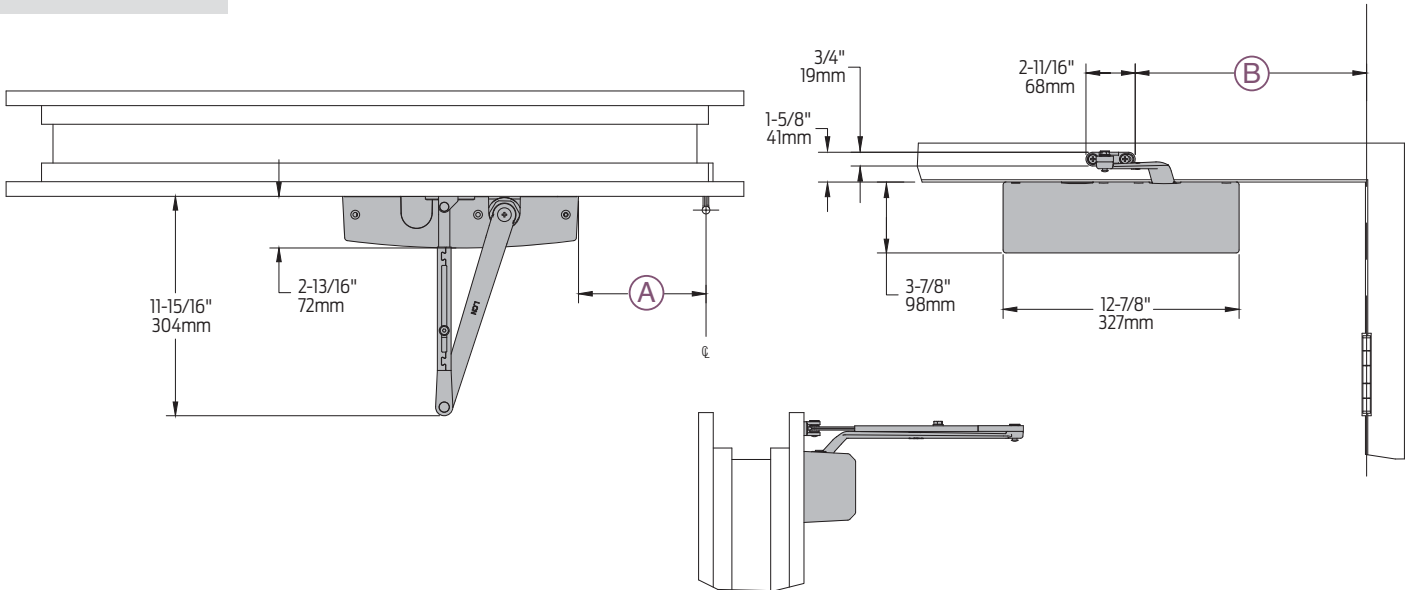
● AVAILABLE
○ NOT AVAILABLE

♿ Closer available with less than 5.0 lbs. opening force on 36" door.
* Maximum opening/hold-open point with standard template.

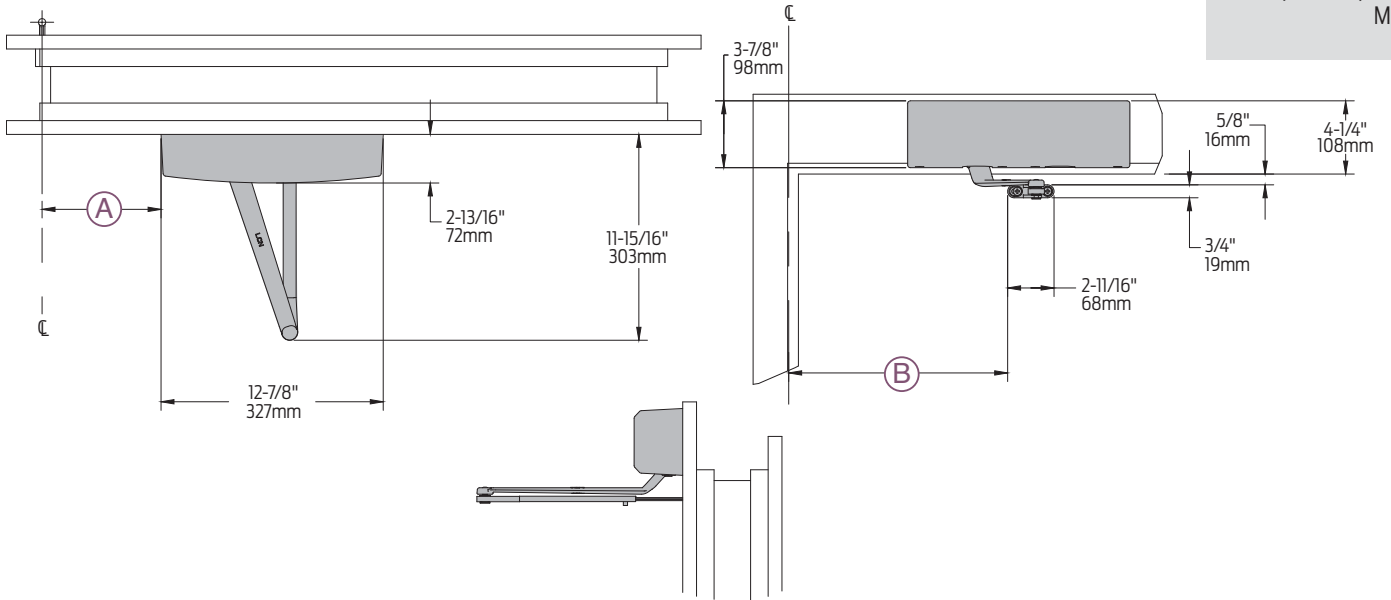
4050 Series

Mounting details

Hinge (Pull Side) Mounting

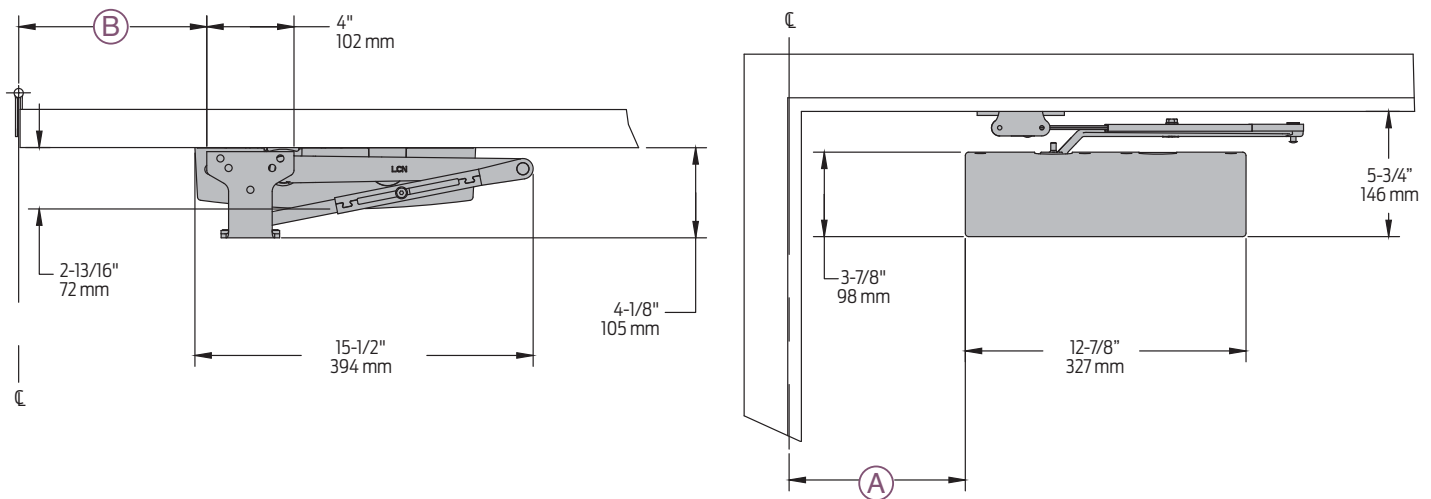


Butt Hinges	Should not exceed 5" (127 mm) in width
Auxiliary Stop	Recommended at hold-open point or where a door cannot swing beyond templated maximum opening
Reveal	Should not exceed 3/4" (19 mm) for regular arm or hold-open arm
Top Rail	<ul style="list-style-type: none"> ■ Less than 3-7/8" (98 mm) requires PLATE, 4050-18. ■ Plate requires 1-13/16" (44 mm) minimum
Clearance	2-13/16" (72 mm) behind door required for 90° installation
Delayed Action	Delays closing from 180°-70°. Delay time adjustable up to approximately 1 minute
Maximum Opening	<ul style="list-style-type: none"> ■ Templating allows up to 180° ■ Hold-open points up to maximum opening with hold-open arm
To 100°:	A = 6-15/16" (176mm) B = 12-5/8" (321 mm)
100° to 120°:	A = 5-15/16" (151mm) B = 11-5/8" (295 mm)
120° to 150°:	A = 3-15/16" (100 mm) B = 9-5/8" 244 mm)
150° to 180°:	A = 3-7/16" (87mm) B = 9-1/8" (232 mm)



The 'A' dimension refers to the edge of the closer body to the center line of pivot or hinge.
 The 'B' dimension refers to the edge of the closer shoe bracket to the center line of pivot or hinge.

Butt Hinges	Should not exceed 5" (127 mm) in width		
Auxiliary Stop	Recommended at hold-open point or where a door cannot swing beyond templated maximum opening		
Reveal	Arm Type	Reveal	Max Opening
	Regular Arm	4"	Up to 180°
	Long	9"	Up to 150°
	Hold-Open	4"	Up to 170°
	Long Hold-Open Arm	8-3/4"	Up to 155°
Top Rail	Requires 2" (51 mm) minimum.		
Head Frame	Less than 3-7/8" (98 mm) requires plate.		
Delayed Action	Delay closing from 180° to 70°. Delay time adjustable up to approximately 1 minute.		
Maximum Opening	<ul style="list-style-type: none"> ■ Templating allows up to 180° ■ Hold-open points up to maximum opening with hold-open arm 		
	To 100°:	A = 6-7/8" (175 mm) B = 12-11/16" (322 mm)	
	100° to 120°:	A = 5-7/8" (149 mm) B = 11-11/16" (297 mm)	
	120° to 150°:	A = 3-7/8" (98 mm) B = 9-11/16" (246 mm)	
	150° to 180°:	A = 3-3/8" (86 mm) B = 9-3/16" (233 mm)	



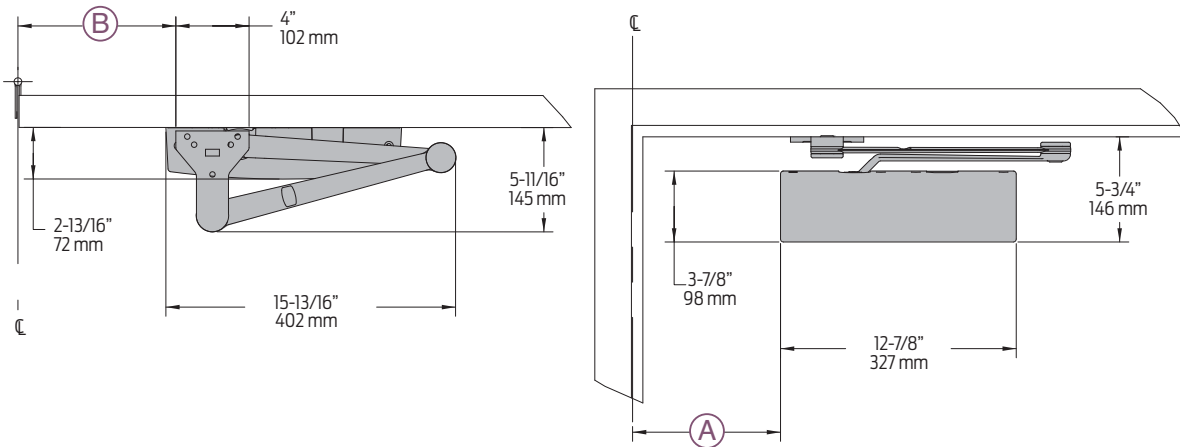
The 'A' dimension refers to the edge of the closer body to the center line of pivot or hinge.
 The 'B' dimension refers to the edge of the closer shoe bracket to the center line of pivot or hinge.

Butt Hinges	Should not exceed 5" (127 mm) in width
Auxiliary Stop	Recommended at hold-open point, where the door cannot swing beyond templated maximum opening, or where CUSH-N-STOP arm is not used
Top Rail	Less than 5-3/4" (146mm) measured from the stop requires PLATE, 4050-18PA. Plate requires 2-1/4" (57 mm) minimum from the stop
Clearance	For 4050-62PA shoe is 4-1/8" (105 mm) from door face
Head Frame	Flush or rabbeted requires PA SHOE ADAPTER, 4050-419
Stop Width	Minimum 1-3/16" (30 mm)
Blade Stop	Clearance requires 1/2" (13mm) BLADE STOP SPACER, 4050-61
Delayed Action	Delays closing from 180°-70°. Delay time adjustable up to approximately 1 minute
Auxiliary Shoe	4050-62A allows installation of regular arm with overhead holder/stop
Maximum Opening	To 100°: A = 8-1/16" (205 mm) B = 8-5/8" (219 mm)
	100° to 130°: A = 6-9/16" (167 mm) B = 7-1/8" (181 mm)
	130° to 150°: A = 5-9/16" (141 mm) B = 6-1/8" (156 mm)
	150° to 180°: A = 4-9/16" (116 mm) B = 5-1/8" (130 mm)
	Hold-open points up to maximum opening with hold-open arm

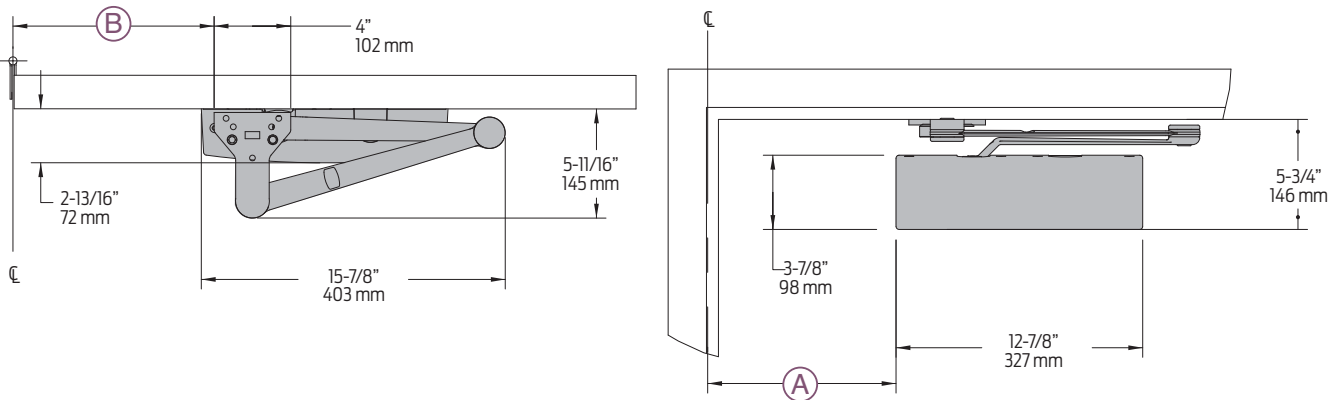
Note:

• Optional mounting requires PA SHOE, 4050-62PA for regular or HOLD-OPEN arms

EDA mount



CUSH mount



The 'A' dimension refers to the edge of the closer body to the center line of pivot or hinge.
 The 'B' dimension refers to the edge of the closer shoe bracket to the center line of pivot or hinge.

Clearance	4050-62EDA is 5-11/16" (145mm) from door face. 5-11/16" (145mm) for CUSH	
Head Frame	Flush or rabbeted requires FLUSH PANEL ADAPTER, 4050-419	
CUSH ARM	Requires CUSH SHOE SUPPORT, 4050-30 for fifth screw anchorage for narrow frames	
Delayed Action	Delays closing from 180° to approximately 70°. Delay time adjustable up to approximately 1 minute.	
Maximum Opening	EDA arm can be templated for points at: 100°	CUSH arms can be templated for opening/hold-open point at:
	100°: A = 8-1/16" (205 mm) B = 8-5/8" (219 mm)	85°: A = 9-13/16" (250 mm) B = 10-1/2" (267 mm)
	100° to 130°: A = 6-9/16" (167 mm) B = 7-1/8" (181 mm)	90°: A = 8-15/16" (227 mm) B = 9-5/8" (244 mm)
	130° to 150°: A = 5-9/16" (141 mm) B = 6-1/8" (156 mm)	95°: A = 8-5/16" (212 mm) B = 9" (229 mm)
	150° to 180°: A = 4-9/16" (116 mm) B = 5-1/8" (130 mm)	100°: A = 7-11/16" (196 mm) B = 8-3/8" (213 mm)
	Hold-open points up to maximum opening with HEDA arm	105°: A = 7-1/16" (180 mm) B = 7-3/4" (197 mm)
		110°: A = 6-9/16" (167 mm) B = 7-1/4" (184 mm)

Notes:

- Spring Cush dead stop points are approximately 5° more than templated stop point
- Hold open at templated stop points
- 4050 Series closers ordered with EDA or CUSH arms include 4050-201 FIFTH HOLE SPACER to support the shoe

Cylinders



4050-3071
Cast Aluminum Cylinder Assembly

- Non-handed
- Heavy duty



4050-3071 DEL
Cast Aluminum Cylinder Assembly

- Cylinder used for delayed action closing
- Non-handed
- Heavy duty

Covers



4050-72
Plastic Cover

- Non-handed
- Standard



4050-72MC
Metal Cover

- Non-handed
- Required for plated finishes and custom powder coat finishes
- Optional

Installation Accessories



4050-18
Plate

- Required for hinge side mount where top rail is less than 3-7/8" (98 mm)
- Requires minimum 1-3/4" (44 mm) top rail



4050-18G
Plate

- Locates top jamb mounted closer flush with top of head frame face in flush ceiling condition
- Contact LCN Product Support for minimum head frame requirement.



4050-18PA
Plate

- Required for parallel arm mounting where top rail is less than 5-3/4" (146 mm), measured from the stop
- Requires 2-1/4" (57 mm) minimum top rail



4050-30
Cush Shoe Support

- Provides anchorage for fifth screw used with CUSH arms, where reveal is less than 3-1/16" (78 mm)



4050-61
Blade Stop Spacer

- Required to lower parallel arm shoe to clear 1/2" (13 mm) blade stop



4050-419
Flush Panel Adapter

- Provides horizontal mounting surface for parallel arm shoe on single rabbeted or flush frame



4050-62A
Auxiliary Shoe

- Requires a top rail of 7-13/16" (198 mm)
- Replaces -62PA for parallel arm mounting of regular arm with overhead holder/stop
- Optional



4050-62PA
PA Shoe

- Required for parallel arm mounting

Arms



4050-3077 Regular Arm

- Non-handed
- Mounts pull side or top jamb with shallow reveal
- Includes PA SHOE, 4050-62PA required for parallel arm mounting



4050-3077L Long Arm

- Non-handed
- Includes LONG ROD AND SHOE, 4050-79LR for top jamb mount
- Optional



4050-3049 Hold-Open Arm

- Non-handed
- Mounts pull side or top jamb with shallow reveal
- Hold-open adjustable shoe
- 4050 closer includes 4050-62PA shoe required for parallel arm mounting
- Optional



4050-3049L Long Hold-Open Arm

- Non-handed
- Hold-open adjustable shoe
- Includes LONG HEAD AND TUBE, 4050-3048L for top jamb mount
- Optional



4050-3077EDA Extra Duty Arm

- Non-handed
- Features forged, solid steel main and forearm for potentially abusive installations



4050-3049EDA Hold-Open Extra Duty Arm

- Handed
- Features forged, solid steel main and forearm for potentially abusive installations
- Hold-open function is adjusted at the shoe



4050-3077EDA/62G Extra Duty Arm With 62G

- Non-handed
- Features forged, solid steel main and forearm for potentially abusive installations
- 62G shoe provides additional blade stop clearance for use with additional door hardware such as an overhead holder



4050-3049EDA/62G Hold-Open Extra Duty Arm With 62G

- Handed
- Features forged, solid steel main and forearm for potentially abusive installations
- 62G shoe provides additional blade stop clearance for use with additional door hardware such as an overhead holder
- Hold-open function is adjusted at the shoe



4050-3077CNS Cush-N-Stop® Arm

- Non-handed
- Features solid forged steel main arm and forearm with stop in soffit shoe
- Optional



4050-3049CNS HCUSH Arm

- Provides hold-open function with templated stop/hold-open points
- Handle controls hold-open function

Arms cont.



4050-3077SCNS
Spring CUSH Arm

- Non-handed
- For abusive applications features solid forged steel main arm and forearm with spring loaded stop in the soffit shoe
- Optional



4050-3049SCNS
Spring HCUSH Arm

- Non-handed
- For abusive applications features solid forged steel main arm and forearm with spring loaded stop in the soffit shoe
- Handle controls hold-open function
- Optional

How-to-order 4050 Series closers

1. Select finish

- Standard Powder Coat _____
Aluminum, Dark Bronze, Statuary,
Light Bronze, Black, Brass.

Closer will be shipped with:

- Standard cylinder
- Standard cover
- Tri pack arm (Rw/PA)
- Self-reaming and tapping screws
unless options listed below are selected.

Closer options

Cylinder

- Delayed Action (4050 DEL)

Cover

- Metal (specify right or left hand) (MC)

Finish

- Custom Powder Coat (RAL) _____
(handed metal cover required)
- Plated Finish, US _____
(handed metal cover required)
- SRI primer (use with powder coat finishes only)

Arm

- Regular (REG)
- Long (LONG)
- Hold-Open (H)
- Hold-Open w/62PA (Hw/PA)
- Long Hold-Open (HLONG)
- Extra Duty Arm (EDA)
- Extra Duty Arm with 62G (EDA/62G)
- Hold Open Extra Duty Arm (HEDA)
(Handed)
- Hold Open Extra Duty Arm with 62
(HEDA/62G) (Handed)
- Cush-N-Stop (CUSH)
- HCush-N-Stop (HCUSH)
- Spring Cush (SCUSH)
- Spring HCush (SHCUSH)

Optional Screw Packs

- TB* w/Self-Reaming and Tapping (TBSRT)
- Wood & Machine Screw (WMS)
- TB*, Wood & Machine Screw (TBWMS)
- TORX Machine Screw (TORX)
- TB* & TORX Machine Screw (TBTRX)
* Specify door thickness if other than
1-3/4".

Installation Accessories

- Plate, 4050-18
- Plate, 4050-18G
- Plate, 4050-18PA
- CUSH Shoe Support, 4050-30
- Blade Stop Spacer, 4050-61
- Auxiliary Shoe, 4050-62A
- Flush Panel Adapter, 4050-419

Special Template

- ST- _____

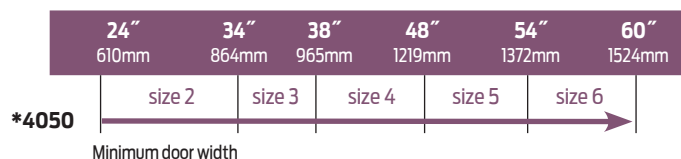
Table of sizes

- 4050 cylinders are adjustable from size 1 through size 6 and is shipped set to size 3
- Closing power of 4050 Series closers may be adjusted 50%

Exterior (and vestibule) door width



Interior door width



→ Indicates recommended range of door width for closer size. * Adjustable Size 1 thru 6.

Reduced opening force 4050 Series closers

CAUTION! Any manual door closer, including those certified by BHMA to conform to ANSI Standard A156.4, that is selected, installed and adjusted based on ADA or other reduced opening force requirements may not provide sufficient power to reliably close and latch a door.

Refer to POWER OPERATORS section for information on systems that meet reduced opening force requirements without effecting closing power.

DOOR WIDTH	36"	42"	48"
	8.5* lbs.	4050	4050
5.0* lbs.	4050	4050	4050

* Maximum opening force.