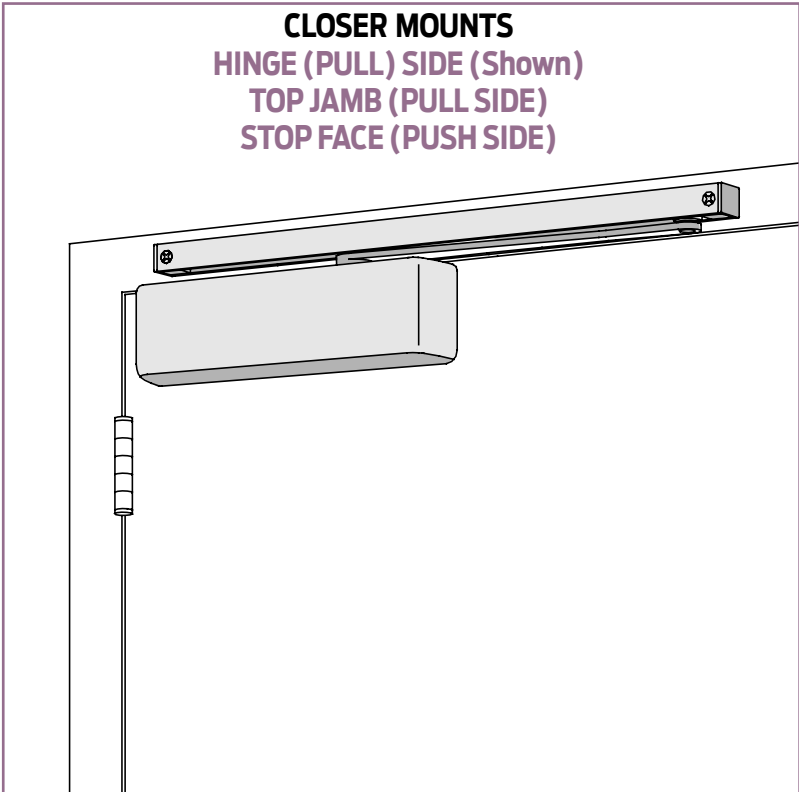


4040XPT SERIES

FEATURES

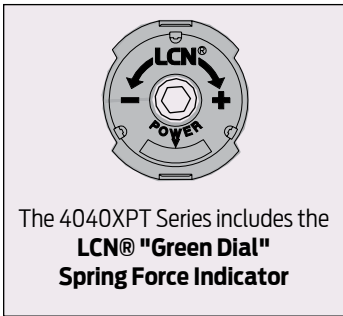
CLOSER MOUNTS
HINGE (PULL) SIDE (Shown)
TOP JAMB (PULL SIDE)
STOP FACE (PUSH SIDE)



The 4040XPT is LCN's most flexible heavy duty track closer designed specifically for interior doors in institutional and other rugged high traffic applications.

- Cast Iron
- Forged Steel Arm
- Double Heat Treated Steel Pinion
- All Weather Fluid
- Non-Handed
- UL & cUL Listed
- 3/4" Journal
- 5/8" Bearing
- Peel-n-Stick Templates for Fast and Accurate Installations
- LCN Patented Green Dial

- Standard 4040XPT Series closer is shipped with standard arm, standard track, track roller, standard plastic cover, and self reaming and tapping screws. See 4040XPT Series pages 51 & 52 for options.
- Non-sized cylinders for interior doors to 4'0".
- Closer mounts pull side on door, pull side top jamb or push side on door.
- Standard or optional custom powder coat finish.
- Optional plated finish on metal cover, arm and fasteners.
- Optional SRI primer for installations in corrosive conditions is available with powder coat only.
- Consult factory for double egress applications.
- Optional designer series metal cover.
- The 4040XPT Series is UL and cUL listed with a standard track for self-closing doors.
- Tested and certified under ANSI Standard A156.4, grade one.



MOUNTING					FINISH		COVER		CYLINDER			**ARM FUNCTION											
HINGE (PULL) SIDE	TOP JAMB (PULL)	TOP JAMB (PUSH)	PARALLEL ARM	STOP FACE	POWDER COAT	PLATED	PLASTIC	METAL	NON-HANDED	NON-SIZED	ACCESSIBILITY	DELAYED ACTION	AVB***	XP	REGULAR (DOUBLE)	STANDARD (SINGLE)	HOLD-OPEN	FUSIBLE LINK	EDA/MEDA	CUSH/H/CUSH	SCUSH/SHCUSH	DOUBLE EGRESS	
●	○	●	●	○	●	●	●	●	●	○	○	○	●	○	○	○	○	○	○	○	○	○	○

● AVAILABLE
 ○ NOT AVAILABLE

♿ Closer available with less than 5.0 lbs. opening force on 36" door.
 ** Maximum opening/hold-open point with standard template.
 *** Delayed Action Closer incorporates standard 4041 Delay Cylinder.

4040XPT SERIES

MOUNTING DETAILS

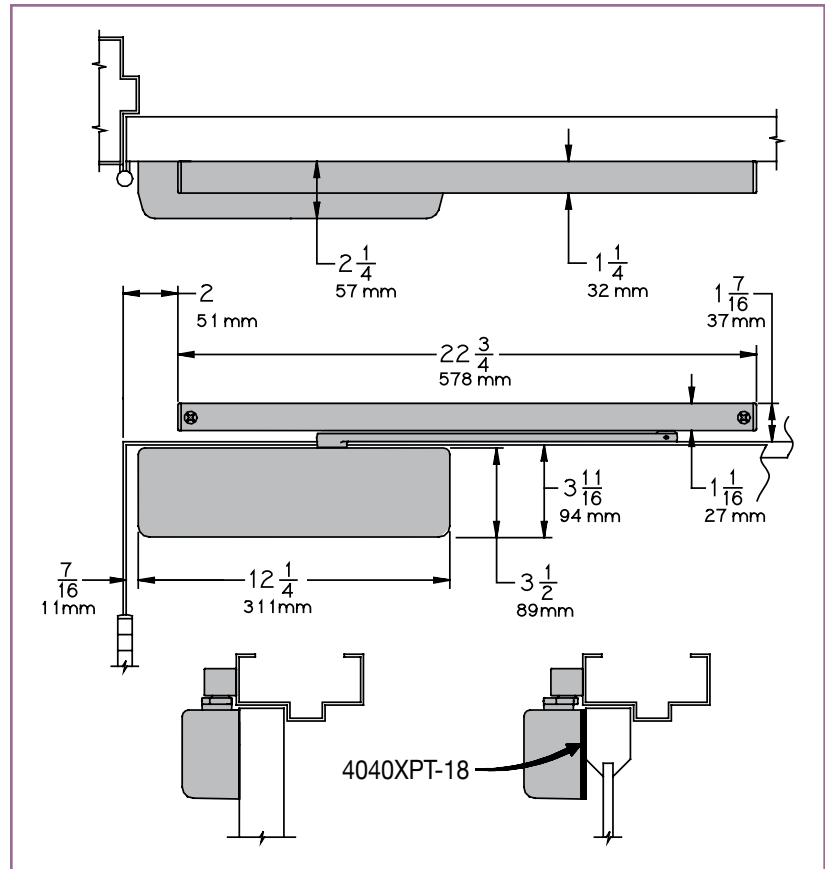
HINGE (PULL) SIDE MOUNTING

MAXIMUM OPENING

Templating allows 120° with standard arm, limited to 110° when optional bumper is installed.

Hold-open points at 85°, 90°, 95°, 100°, 105°, or 110°, depending on the clip location in track.

Please note that many track style door closers are capable of allowing 180° of door swing. Be aware that the majority of track style closers are at their weakest closing force in the 180° – 130° range. Consult factory for applications where door must swing 180°.



- **Butt Hinges** should not exceed 5" (127 mm) in width.
- **Auxiliary Stop** is recommended at hold-open point or where a door cannot swing 120°. Optional track bumper assembly assists backcheck in cushioning the opening swing of the door. It is not intended to replace an auxiliary stop.
- **Reveal** should not exceed 1/8" (3 mm) for standard arm.
- **Top Rail** less than 3-3/4" (95 mm) requires PLATE, 4040XPT-18. Plate requires 1-13/16" (44 mm) minimum.
- **Head Frame** requires 1-1/4" (32 mm) minimum.
- **Clearance** of 2-1/4" (57 mm) behind door required for 90° installation.

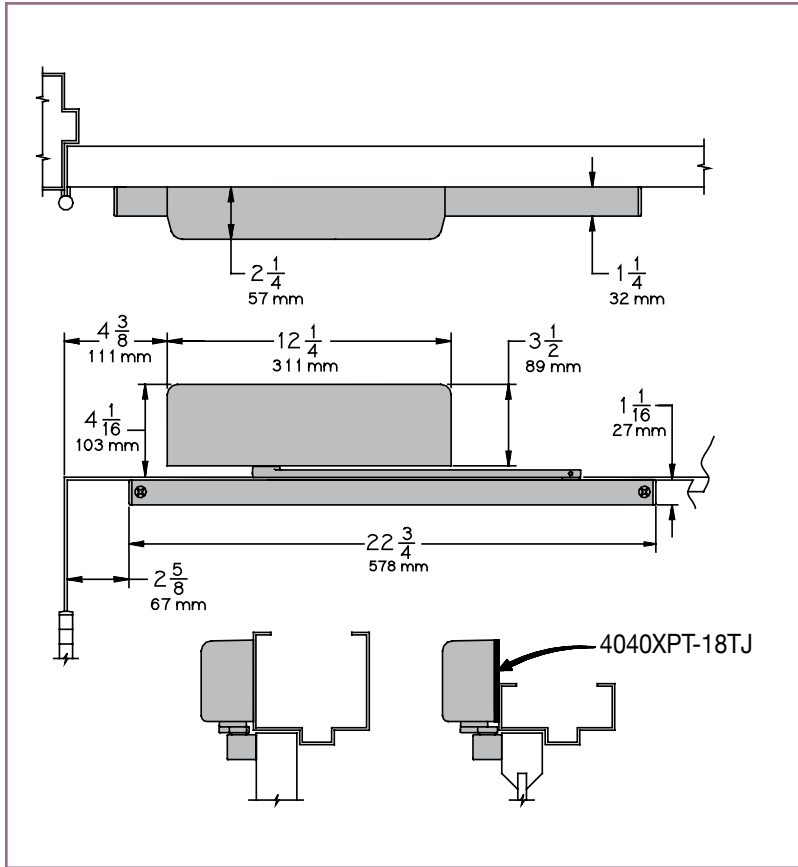
Options

- Standard track with bumper, hold-open track, hold-open track with bumper.
- Metal cover.
- ST required for double egress applications. Consult factory.

Special Templates

Customized installation templates or products may be available to solve unusual applications. Contact LCN Product Support for assistance.

4040XPT SERIES



TOP JAMB (PULL SIDE) MOUNTING

MAXIMUM OPENING

Templating allows 180° with standard track arm, limited to 110° with optional bumper installed.

Consult factory if door will be held open at 180°.

Hold-open points at 85°, 90°, 95°, 100°, 105° or 110° with hold-open tracks.

Please note that many track style door closers are capable of allowing 180° of door swing. Be aware that the majority of track style closers are at their weakest closing force in the 180° – 130° range. Consult factory for applications where an exterior or large/heavy door must swing 180°.

- **Butt Hinges** should not exceed 5" (127 mm) in width.
- **Auxiliary Stop** is recommended at hold-open point or where a door cannot swing 180°. Optional track bumper assembly assists backcheck in cushioning the opening swing of the door. It is not intended to replace an auxiliary stop.
- **Reveal** should not exceed 1/8" (3 mm).
- **Head Frame** less than 3-7/8" (98 mm), requires PLATE, 4040XPT-18TJ. Plate requires 1-3/4" (44 mm) minimum.
- **Clearance** of 1-1/4" (32 mm) behind door required for 180° installation.

Options

- Standard track with bumper, hold-open track, hold-open track with bumper.
- Metal cover.

Special Templates

Customized installation templates or products may be available to solve unusual applications. Contact LCN Product Support for assistance.

4040XPT SERIES

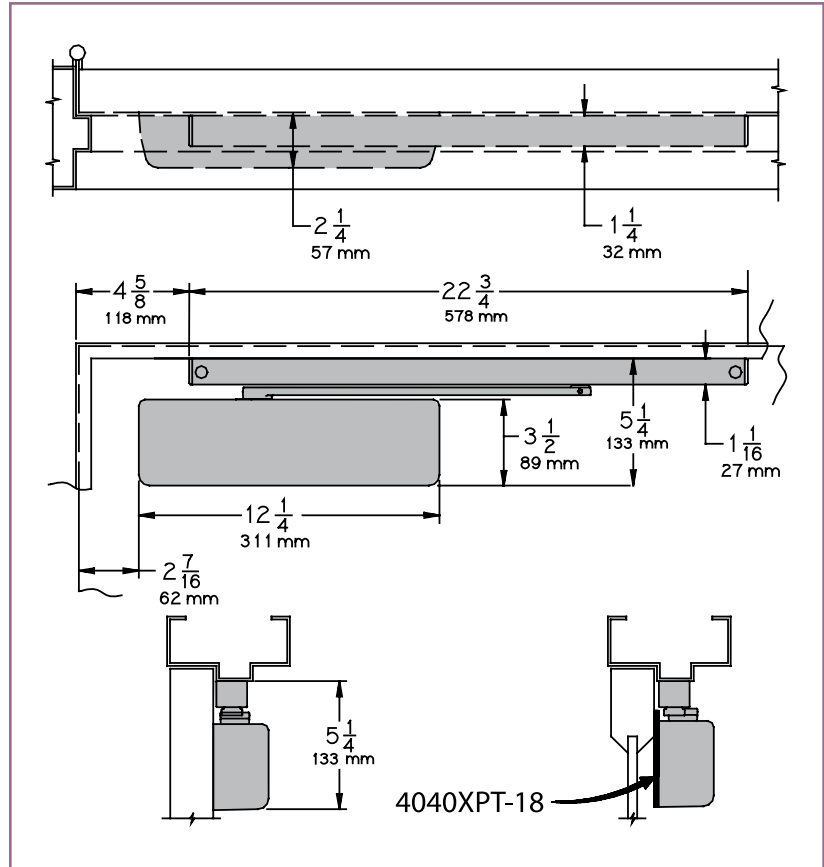
STOP FACE (PUSH SIDE) MOUNTING

MAXIMUM OPENING

Templating allows 120° with standard track arm, limited to 110° with optional bumper tracks.

Hold-open points at 85°, 90°, 95°, 100°, 105° or 110° with hold-open tracks.

Please note that many track style door closers are capable of allowing 180° of door swing. Be aware that the majority of track style closers are at their weakest closing force in the 180° – 130° range. Consult factory for applications where door must swing 180°.



- **Butt Hinges** should not exceed 5" (127 mm) in width.
- **Auxiliary Stop** is recommended at hold-open point or where a door cannot swing 120°. Optional track bumper assembly assists backcheck in cushioning the opening swing of the door. It is not intended to replace an auxiliary stop.
- **Clearance** projects 2-1/4" (57 mm) from face of door.
- **Top Rail** less than 5-1/4" (133 mm) measured from the stop, requires PLATE, 4040XPT-18. Plate requires 3-1/2" (89 mm) minimum.
- **Stop Width** minimum 1-1/4" (32 mm).

Options

- Standard track with bumper, hold-open track, hold-open track with bumper.
- Metal cover.

Special Templates

Customized installation templates or products may be available to solve unusual applications. Contact LCN Product Support for assistance.

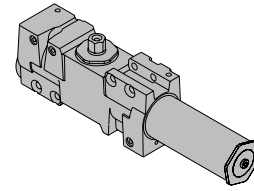
4040XPT SERIES

CYLINDERS

CYLINDER, 4040XPT-3071

Standard, non-handed cast iron cylinder assembly.

3071

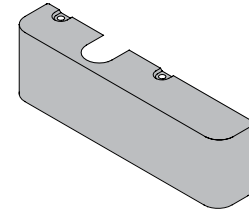


COVERS

COVER, 4040XPT-72

Standard, non-handed plastic clip-on cover.

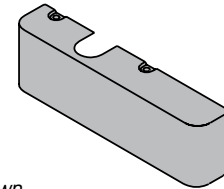
72



METAL COVER, 4040XPT-72MC

Optional, handed cover. Required for plated finishes and custom powder coat finishes.

72MC



Left Hand Shown

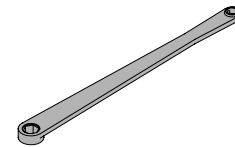
ARMS

STANDARD ARM, 4040XPT-3077T

Non-handed arm.

Arm does not include track roller.

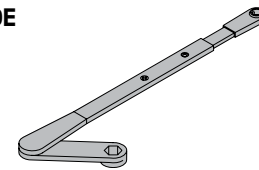
3077T



DOUBLE EGRESS ARM, 4040XPT-3077DE

Optional, handed arm for double egress doors and frames. Arm does not include track roller. Maximum reveal is 2-11/16" (68mm).

3077TDE



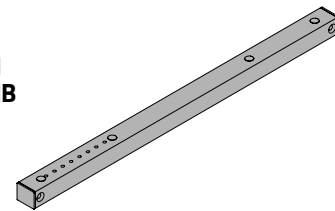
TRACKS

STANDARD TRACK, 4040XPT-3038

Standard, non hold-open, non-handed track.

Will accept hold-open clip and/or bumper assembly.

3038
3038B
3038H
3038HB



STANDARD TRACK with BUMPER, 4040XPT-3038B

Optional non hold-open, non-handed track with bumper assembly installed. Will accept hold-open clip.

HOLD-OPEN TRACK, 4040XPT-3038H

Optional, non-handed track with hold-open clip installed.

Will accept bumper assembly.

HOLD-OPEN TRACK with BUMPER, 4040XPT-3038HB

Optional, non-handed track with hold-open clip and bumper assembly installed.

4040XPT SERIES

INSTALLATION ACCESSORIES

PLATE, 4040XPT-18

Required for pull side (door mount) installations where top rail is less than 3-3/4" (95 mm).

Plate requires minimum 1-3/4" (44 mm) top rail.

Required for push side (door mount) installations where top rail is less than 5-1/4" (133 mm) measured from the stop. Plate requires minimum 3-1/2" (89 mm) top rail.

PLATE, 4040XPT-18TJ

Required for pull side top jamb installations where head frame is less than 3-7/8" (98 mm). Plate requires minimum 1-3/4" (44 mm) head frame.

TRACK BUMPER, 4040XPT-169

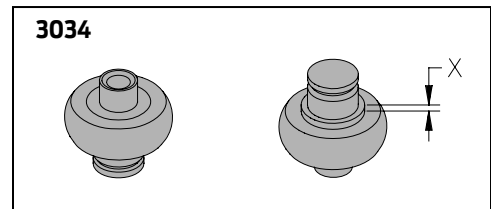
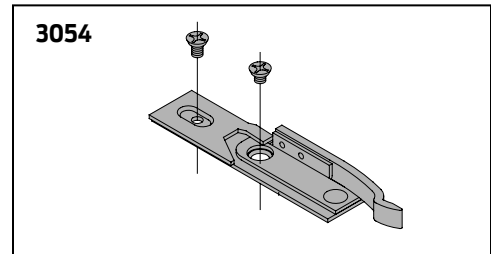
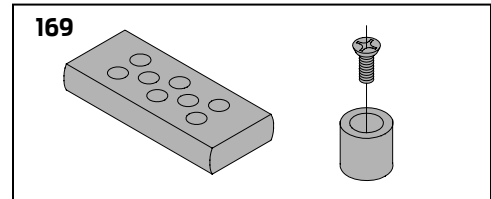
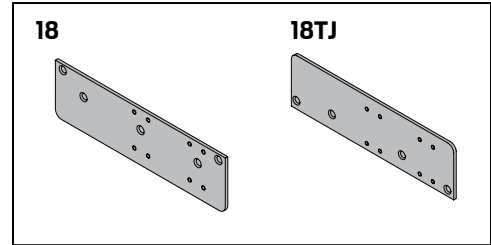
Mounts in track to assist backcheck, does not replace auxiliary stop. Limits maximum opening. Consists of bumper, bumper post, and mounting screw.

HOLD-OPEN CLIP, 4040XPT-3054

Mounts in track to provide hold-open function. Hold-open point controlled by clip location. Consists of clip and mounting screws.

TRACK ROLLER, 4040XPT-3034

Quiet, low friction roller assembly. Shoulder dimension "X" = 1/8" (3mm).

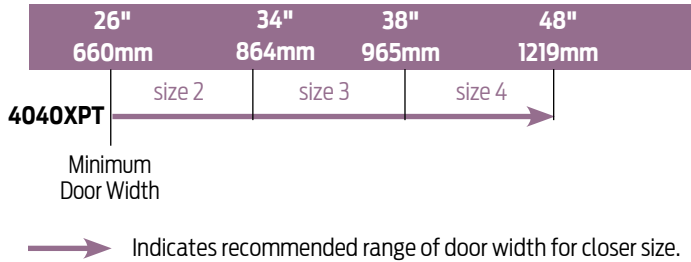


4040XPT SERIES

TABLE OF SIZES

Non-Sized 4040XPT cylinder is adjustable from sizes 1 thru 4 and is shipped set to size 3.

INTERIOR DOOR WIDTH



HOW-TO-ORDER 4040XPT SERIES CLOSERS

1. SELECT FINISH

- Standard Powder Coat _____
Aluminum, Dark Bronze, Statuary,
Light Bronze, Black, Brass.

Closer will be shipped with:

- STANDARD COVER,
- STANDARD ARM,
- TRACK ROLLER,
- STANDARD TRACK,
- SELF-REAMING and TAPPING SCREWS,
unless options listed below are selected.

CLOSER OPTIONS

COVER

- Metal (specify right or left hand) (MC)

FINISH

- Custom Powder Coat (RAL) _____
(handed metal cover required)
- Plated Finish, US _____
(handed metal cover required)
- SRI primer (use with powder coat finishes only)

TRACK

- Regular with Bumper (BUMPER)
- Hold-Open (HO)
- Hold-Open with Bumper (HBUMPER)

SPECIFY SCREW PACK

- TB* w/Self-Reaming and Tapping Screws (TBSRT)
 - Wood & Machine Screw (WMS)
 - TB*, Wood & Machine Screw (TBWMS)
 - TORX Machine Screw (TORX)
 - TB* & TORX Machine Screw (TBTORX)
- * Specify door thickness if other than 1-3/4"*

INSTALLATION ACCESSORY

- Plate, 4040XPT-18
- Plate, 4040XPT-18TJ


SPECIAL TEMPLATE

- ST- _____

REDUCED OPENING FORCE 4040XPT CLOSERS

CAUTION! Any manual door closer, including those certified by BHMA to conform to ANSI Standard A156.4, that is selected, installed and adjusted based on ADA or other reduced opening force requirements may not provide sufficient power to reliably close and latch a door.

Refer to POWER OPERATORS section for information on systems that meet reduced opening force requirements without effecting closing power.

	DOOR WIDTH	36"	42"	48"
	8.5* lbs.	N/A	N/A	N/A
	5.0* lbs.	4040XPT	4040XPT	4040XPT

* Maximum opening force.