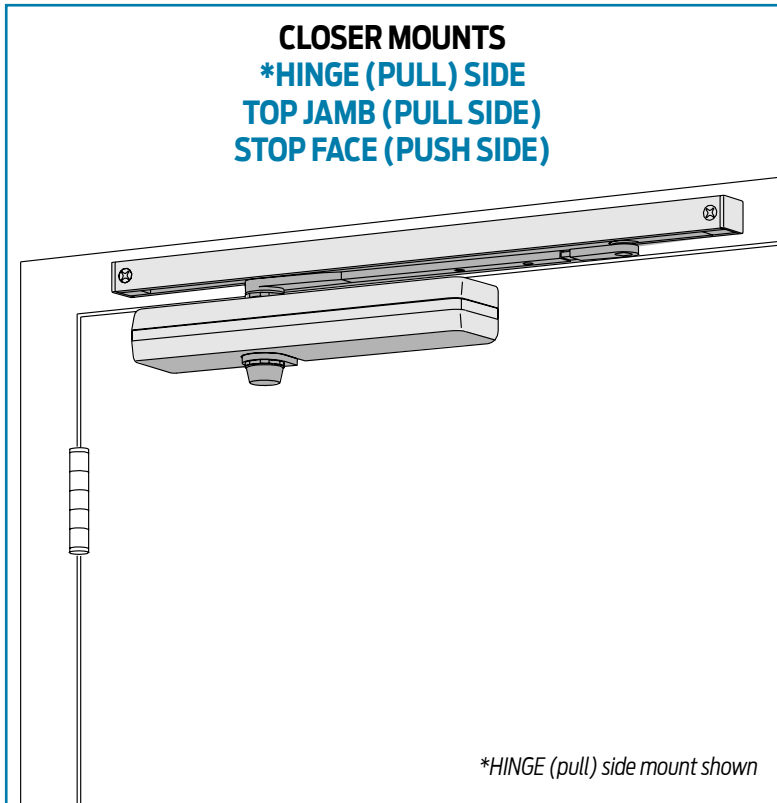


1460T SERIES

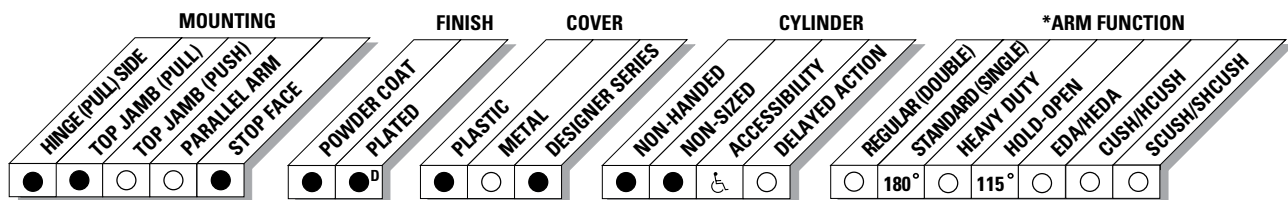
FEATURES



The 1460T is a fully universal slim line, single lever (track) arm closer designed for interior use on narrow headframes and top rails. The modern styling and small projection make it an excellent choice for interior doors.

- Cast Iron
- All weather fluid
- Non-handed
- UL and cUL listed

- Standard 1460T series closer shipped with a standard arm, a slim line plastic cover, a standard track, a track roller, and self reaming and tapping screws. See 1460T Series page 23 & 24 for options.
- Multiple cover options include; Standard (Slim line), Full and Designer Series.
- Non-sized (2-4) cylinders adjustable for interior doors to 4' 0".
- Non-handed closer mounts hinge side, top jamb (pull side), and stop face on either right or left swinging doors.
- Standard or optional custom powder coat finish.
- Optional plated finish on Designer Series metal cover, arm and fasteners. (Available with powder coat finishes only).
- Optional SRI primer for installations in corrosive conditions.
- Tested and certified under ANSI Standard A156.4, grade one.



● AVAILABLE
 ○ NOT AVAILABLE

* Maximum opening/hold-open point with standard template. Hinge side mount
 D = For designer series only.

1460T SERIES

MOUNTING DETAILS

HINGE (PULL) SIDE MOUNTING

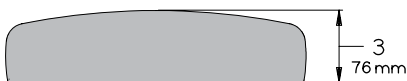
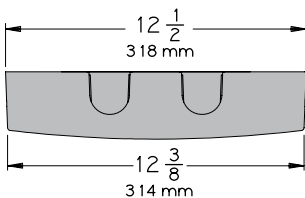
MAXIMUM OPENING

Templating allows up to 180°, trim and frame permitting, limited to 115° when optional bumper is installed.

Consult factory if door will be held open at 180°.

Hold-open points at 85°, 90°, 95°, 100°, 110° or 115° with hold-open tracks. Please note that many track style door closers are capable of allowing 180° of door swing. Be aware that the majority of track style closers are at their weakest closing force in the 180°-130° range. Consult factory for applications where an exterior or large/heavy door must swing 180°.

Optional, Non-handed Designer Series Metal Cover

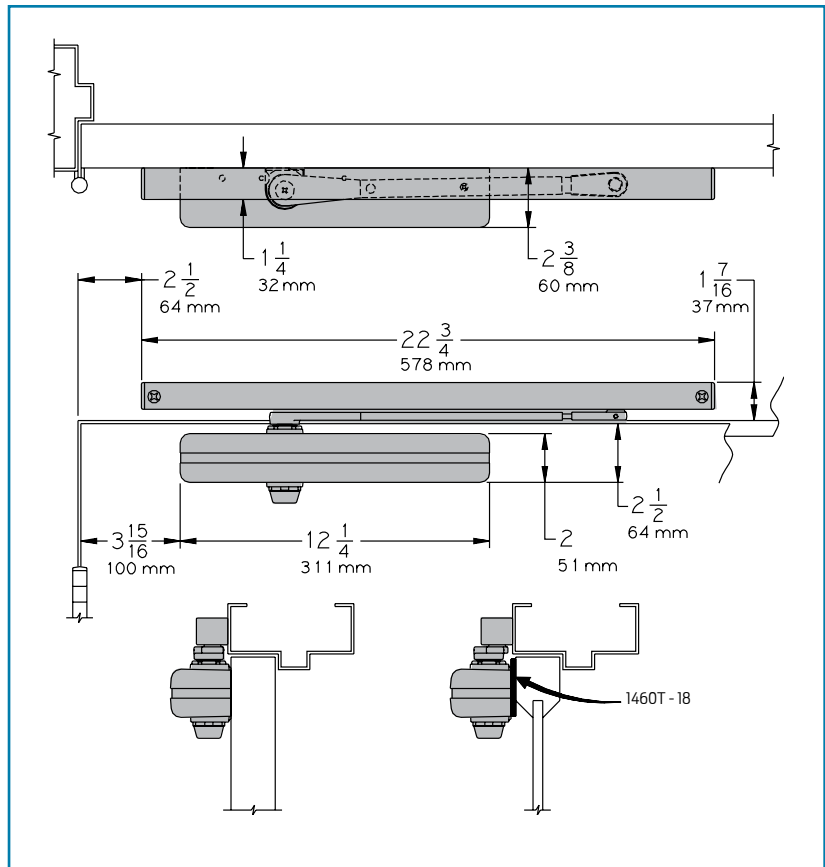


Options

- Regular track with bumper.
- Hold-open track.
- Hold-open track with bumper.
- Full cover. (FC)
- Designer Series metal cover. (DS)

Special Templates

Customized installation templates or products may be available to solve unusual applications. Contact LCN Product Support for assistance.



- **Butt Hinges** should not exceed 5" (127 mm) in width.
- **Auxiliary Stop** is recommended where a door cannot swing 180°. Optional track bumper assembly assists backcheck in cushioning the opening swing of the door. It is not intended to replace an auxiliary stop.
- **Reveal** should not exceed 1/8" (3 mm).
- **Top Rail** less than 2-1/2" (64 mm) requires PLATE, 1460T-18. Plate requires 1-1/2" (38 mm) minimum. With Full cover, use PLATE, 1460T-18FC. With Designer Series metal cover, use PLATE, 1460T-18DS.
- **Clearance** of 2-3/8" (60 mm) behind door required for installation.

1460T SERIES

TOP JAMB (PULL SIDE) MOUNTING

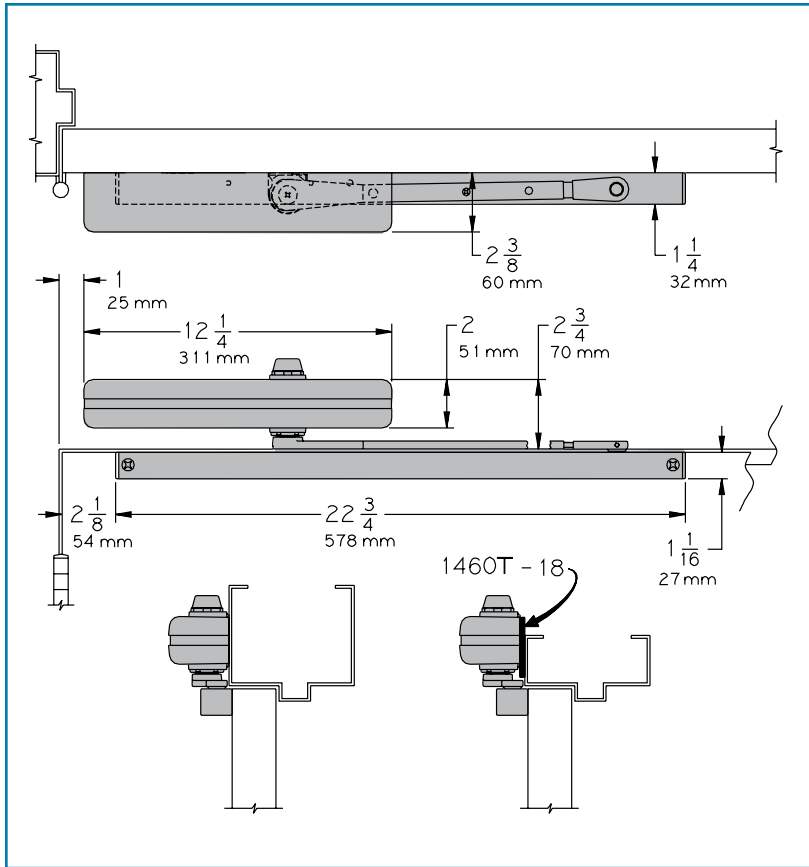
MAXIMUM OPENING

Templating allows up to 180°, limited to 115° when optional bumper is installed.

Consult factory if door will be held open at 180°.

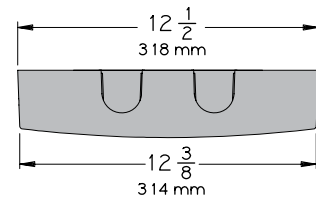
Hold-open points at 85°, 90°, 95°, 100°, 110° or 115° with hold-open tracks.

Please note that many track style door closers are capable of allowing 180° of door swing. Be aware that the majority of track style closers are at their weakest closing force in the 180° – 130° range. Consult factory for applications where an exterior or large/heavy door must swing 180°.



- **Butt Hinges** should not exceed 5" (127 mm) in width.
- **Auxiliary Stop** is recommended where a door cannot swing 180°. Track bumper assembly assists backcheck in cushioning the opening swing of the door. It is not intended to replace an auxiliary stop.
- **Head Frame** less than 2-3/4" (70 mm) requires PLATE, 1460T-18. Plate requires 1-3/4" (44 mm) minimum. With full cover, use PLATE, 1460T-18FC. With Designer Series metal cover, use PLATE, 1460T-18DS.
- **Reveal** (hinge side) should not exceed 1/8" (3 mm).
- **Top Rail** minimum 1-1/4" (32 mm).
- **Clearance** 1-1/4" (32 mm) behind door for installations.

Optional, Non-handed Designer Series Metal Cover



Options

- Regular track with bumper.
- Hold-open track.
- Hold-open track with bumper.
- Full cover. (FC)
- Designer Series metal cover. (DS)

Special Templates

Customized installation templates or products may be available to solve unusual applications. Contact LCN Product Support for assistance.

1460T SERIES

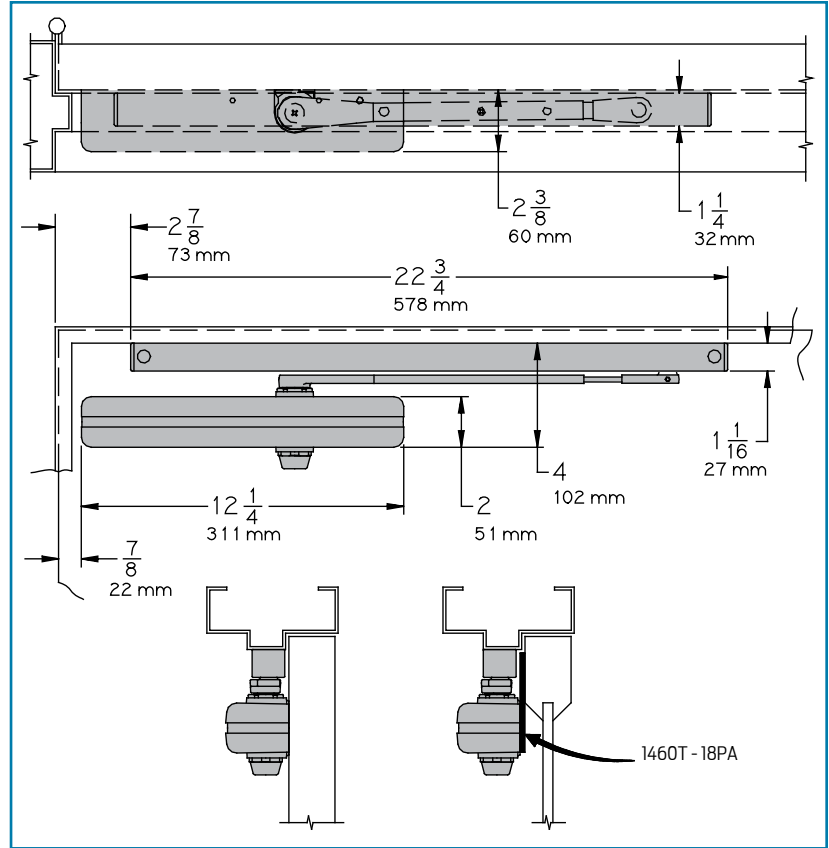
MOUNTING DETAILS

STOP FACE (PUSH SIDE) MOUNTING

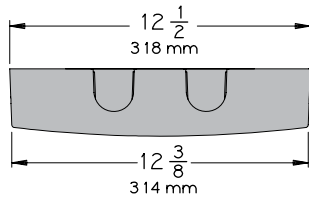
MAXIMUM OPENING

Templating allows 110°, limited to 100° when optional bumper is installed.

Hold-open points at 85°, 90°, 95°, or 100° with hold-open tracks.



Optional, Non-handed Designer Series Metal Cover



Options

- Regular track with bumper.
- Hold-open track.
- Hold-open track with bumper.
- Full cover. (FC)
- Designer Series metal cover. (DS)

Special Templates

Customized installation templates or products may be available to solve unusual applications. Contact LCN Product Support for assistance.

- **Butt Hinges** should not exceed 5" (127 mm) in width.
- **Auxiliary Stop** is recommended where a door cannot swing 110°. Track bumper assembly assists backcheck in cushioning the opening swing of the door. It is not intended to replace an auxiliary stop.
- **Clearance** 1460T projects 2-3/8" (60 mm) from door face.
- **Top Rail** less than 4" (102 mm) measured from the stop face requires PLATE, 1460T-18PA. Plate requires 1-1/2" (38 mm) minimum. With Full cover, use PLATE, 1460T-18PAFC. With Designer Series metal cover, use PLATE, 1460T-18PADS.
- **Stop Width** minimum 1-1/4" (32 mm).

1460T SERIES

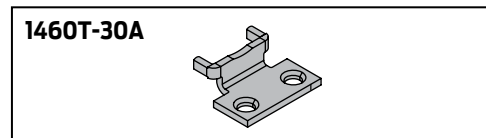
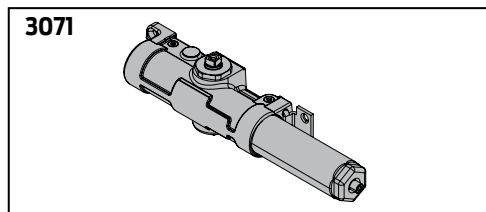
CYLINDERS

CYLINDER, 1460T-3071

Standard, non-handed cast iron cylinder assembly. For various applications see "Table of Sizes" on 1460T Series.

MOUNTING BRACKET, 1460T-30A

Bracket to be used when installing cylinder body. Included with cylinder when ordered.



COVERS

COVER, 1460T-72

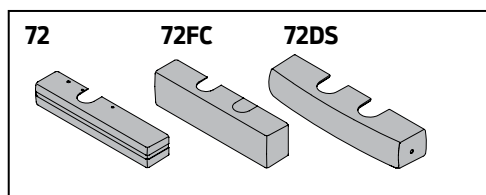
Standard, non-handed, slim line plastic cover with feature strip.

FULL COVER, 1460T-72FC

Optional, non-handed, plastic cover provides complete enclosure.

DESIGNER METAL COVER, 1460T-72DS

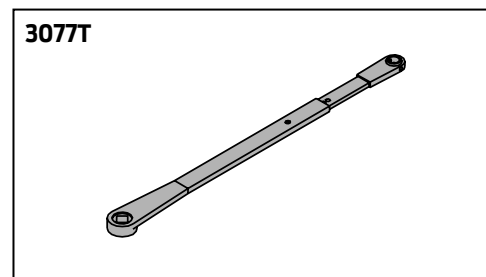
Optional, non-handed designer series metal full cover provides complete enclosure with a stylish look. Required for plating option and custom powder coat finishes.



ARM

STANDARD ARM, 1460T-3077T

Non-handed single lever arm mounts hinge side, top jamb, or stop face. Track roller not included with arm.



TRACKS

STANDARD TRACK, 1460T-3038

Standard, non hold-open, non-handed track mounts on either side of the door. Will accept hold-open clip and/or bumper assembly.

STANDARD TRACK with BUMPER, 1460T-3038B

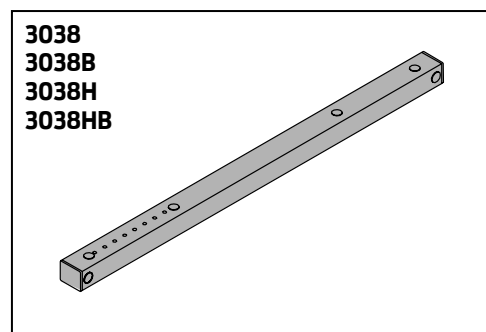
Optional, non hold-open, non-handed track with bumper mounts on either side of the door. Will accept hold-open clip.

HOLD-OPEN TRACK, 1460T-3038H

Optional, non-handed hold-open track mounts on either side of the door. Will accept bumper assembly.

HOLD-OPEN TRACK with BUMPER, 1460T-3038HB

Optional, non-handed hold-open track with bumper mounts on either side of the door.

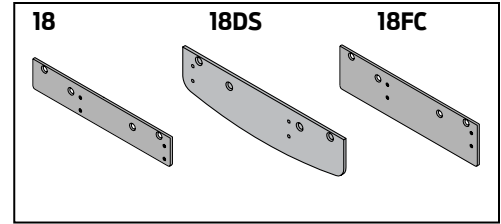


1460T SERIES

INSTALLATION ACCESSORIES

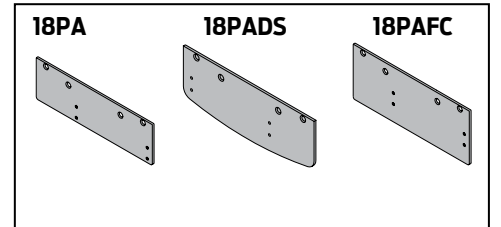
PLATE, 1460T-18, 1460T-18DS, 1460T-18FC

Required for hinge side mount where top rail is less than 2-1/2" (64 mm). Required for top jamb mount when head frame is less than 2-3/4" (70 mm). Plate requires minimum 1-1/2" (38 mm) top rail or 1-3/4" (44 mm) head frame minimum. With Full cover, use PLATE, 1460T-18FC. With Designer Series metal cover, use PLATE, 1460T-18DSI.



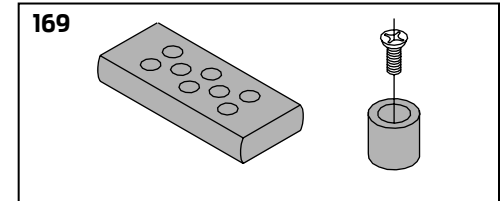
PLATE, 1460T-18PA, 1460T-18PADS, 1460T-18PAFC

Required for stop face mounting where top rail is less than 4" (102 mm), measured from the stop. Plate requires 1-1/2" (38 mm) minimum top rail. With Full cover, use PLATE, 1460T-18PAFC. With Designer Series metal cover, use PLATE, 1460T-18PADSI.



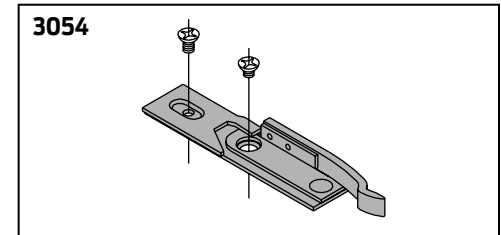
TRACK BUMPER, 1460T-169

Mounts in track to assist backcheck, does not replace auxiliary stop. Limits maximum opening. Consists of bumper, bumper post, and mounting screw.



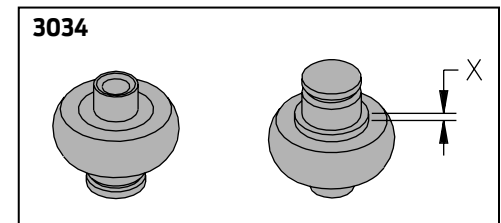
HOLD-OPEN CLIP, 1460T-3054

Mounts in track to provide hold-open function. Hold-open point controlled by clip location.



TRACK ROLLER, 1460T-3034

Quiet, low friction roller assembly. Shoulder dimension "X" = 1/8" (3 mm).

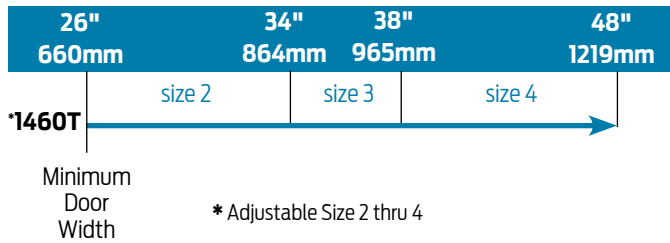


1460T SERIES

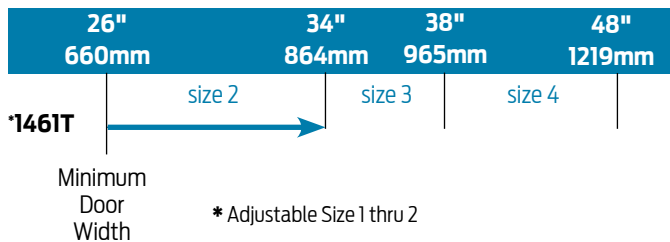
TABLE OF SIZES

Select closer based on width of door. The spring power of a 1460T cylinder is adjustable from size 2 to size 4 and is shipped adjusted to size 3. The closing power of 1460T series cylinders may be increased 50%. The spring power of a 1461T cylinder is adjustable from size 1 to size 2 and is shipped adjusted to size 1.

INTERIOR DOOR WIDTH



INTERIOR DOOR WIDTH




→ Indicates recommended range of door width for closer size.

REDUCED OPENING FORCE 1460T CLOSERS

CAUTION! Any manual door closer, including those certified by BHMA to conform to ANSI Standard A156.4, that is selected, installed and adjusted based on ADA or other reduced opening force requirements may not provide sufficient power to reliably close and latch a door.

Refer to POWER OPERATORS section for information on systems that meet reduced opening force requirements without affecting closing power.

	DOOR WIDTH	36"	42"	48"
	8.5* lbs.	N/A	N/A	N/A
	5.0* lbs.	1461T	1461T	1461T

* Maximum opening force.

HOW-TO-ORDER 1460T SERIES CLOSERS

1. SELECT CYLINDER SIZE

- 1461T
- 1460T (adjustable from size 2 to 4)

2. SPECIFY FINISH

- Standard Powder Coat _____
Aluminum, Dark Bronze, Statuary,
Light Bronze, Black, Brass.

Closer will be shipped with:

- STANDARD COVER,
- STANDARD ARM,
- STANDARD TRACK,
- TRACK ROLLER,
- SELF-REAMING and TAPPING SCREWS
unless options listed below are selected.

CLOSER OPTIONS

COVER

- Full cover (FC)
- Designer Series metal cover (DS)

FINISH

- Custom Powder Coat (RAL) _____
(DS cover required)
- Plated Finish, US _____
(DS cover required)
- SRI primer (for use with powder coat finishes only)

TRACK

- Standard with Bumper (BUMPER)
- Hold-Open (H)
- Hold-Open with Bumper (HBUMPER)

SCREW PACK

- TB* w/Self-Reaming and Tapping Screws (TBSRT)
- Wood & Machine Screw (WMS)
- TB*, Wood & Machine Screw (TBWMS)
- TORX Machine Screw (TORX)
- TB* & TORX Machine Screw (TBTRX)
* Specify door thickness if other than 1-3/4".

SPECIAL TEMPLATE

- ST- _____

INSTALLATION ACCESSORIES

- Plate, 1460T-18
- Plate, 1460T-18DS1
- Plate, 1460T-18FC
- Plate, 1460T-18PA
- Plate, 1460T-18PADS1
- Plate, 1460T-18PAFC