

Meets ANSI/BHMA A156.4 C07162

7226 - UL Listed 20 minute fire doors

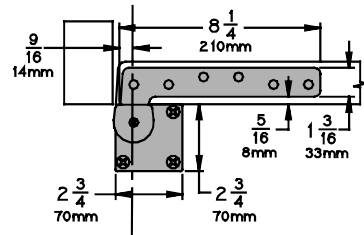
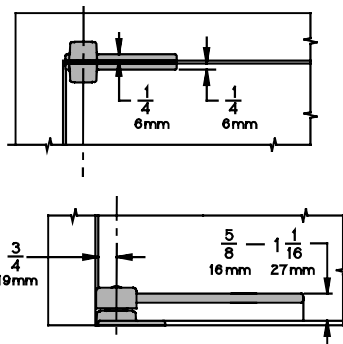
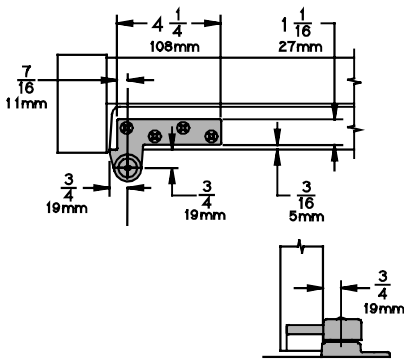
7226F - UL Listed 3 hour fire doors

**7226**  
**7226F 3/4" Offset Pivot**

- Non-handed
- Top, header mount
- Bottom, base plate mount
- Use with 1-3/4" minimum door thickness, with 1/8" bevel in 2"
- Maximum door load 600 pounds
- Vertical adjustment range 3/16", with positive locking

Optional 7215-7226-7227 or 7226F-722 Intermediate Pivot (handed) for each additional 100 pounds or doors over 7'. See page A47.

Optional 7226PT Power Transfer (four wires), non-load bearing. See page A49



**7226**

**Plated Finishes brass**

US Number	US3	US4	US10	US10B	US26	US26D
BHMA Number	605	606	612	613	625	626

**Painted Finishes brass**

US Number	SP4	SP10	SP28	SP313	SPBLK
BHMA Number	706	691	689	695	622

**7226F**

**Plated Finishes steel**

US Number	US3	US10	US32	US32D
BHMA Number	632	639	629	630

**Painted Finishes steel**

US Number	SP4	SP10	SP28	SP313	SPBLK
BHMA Number	706	691	689	695	622