



224XY Full mortise - door edge protector

- For 1 3/4" doors
- Door edge protector
- Patented center loaded, interlocking bearing design
- Non Handed for custom cut lengths
- 1/16" door inset
- 48" Maximum door width
- Beveled or square edge doors
- Frame guidance lip is extended further for retrofit applications to cover existing heavy weight architectural hinge preps
- For doors weighing up to 450 pounds without reinforcing, 600 pounds with reinforcing
- For lead-lined application consult factory for engineering specials

Certifications

- Meets ANSI 156.26 for 150lbs and 300lbs
- UL10C certified

Standard lengths

- 83", 85", 95", 119"

Standard mounting hardware

- 12-24 x 3/4" Steel self drilling / self tapping phillips head screw

Finishes

- Clear Anodized (US28), Dark Bronze Anodized (313AN), Black Anodized (315AN)
- Custom anodizing and painting are available, consult factory.

Options:

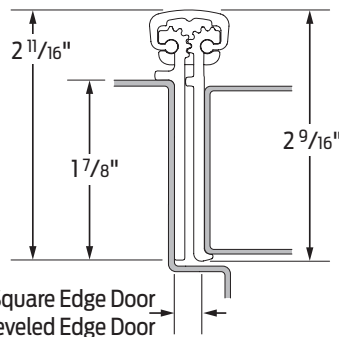
- HT.....Hospital tip
- EPTElectric power transfer
- TWP CON.....Electrical through wire panel with Allegion Connect

Optional mounting hardware:

- SECHM.....Security screws - hollow metal door and frame
- SECWDHM.....Security screws - 1/2 wood, 1/2 hollow metal
- SECWDWDSecurity screws - wood door and frame
- TEKWD1/2 self drill, self tap 1/2 wood
- WD.....Wood door and frame

For single door applications:

For pairs of doors see chart and general information



5/16" Clearance for Square Edge Door
11/32" Clearance for Beveled Edge Door