

8000 Electric Strike

Works with cylindrical locksets and accommodates latchbolts up to 5/8" throw



Also available in a Complete One Box Solution

The concealed electric strike solution for cylindrical locksets.

The 8000 Series Electrical Strike is a compact, high performance electric strike featuring a unique concealed design for use with cylindrical locksets. No cutting on the frame is required. Simply remove the existing strike plate, adjust the vertical alignment feature to the latchbolt centerline and install. Its strength is derived from a unique keeper pin locking design, enabling the 8000 to exceed the ratings of the frame, door and locking hardware. This field selectable fail safe/fail secure unit is easy to install and accommodates latchbolts up to 5/8" throw.

Features

Standard Features

- No cutting on frame required
- Vertical adjustability to accommodate door sag and misalignment
- Tamper resistant
- Static strength 1,500 lbs
- Dynamic strength 70 ft-lbs
- Endurance 1 million cycles
- Field selectable fail safe/fail secure
- Non-handed
- Internally mounted solenoid
- Accommodates 1/2" – 5/8" [12.7mm – 15.9mm] cylindrical latchbolt (5/8" [15.9mm] with 1/8" [3.175mm] door gap)
- Strike body depth 1-1/16" [27.3mm]
- Strike body width 1-7/16" [36.5mm]
- Plug-in Connector
- SecuriCare five-year, no-fault, no questions asked warranty (Addition of SMART Pac® III extends the warranty to 10 years)

Optional Features

- **LBM** Latchbolt monitor

Accessories

- **2001M** Plug-in bridge rectifier
- **2004M** ElectroLynx® adapter
- **2005M3** SMART Pac® III
- **2006M** Plug-in buzzer



Grade 1



SecuriCare
Warranty



Cylindrical
Locksets



Field Selectable
(Fail secure
/Fail safe)



Dual Voltage
12/24



PoE
Friendly



Outdoor
Rated



Burglary
Rated

hes.

ASSA ABLOY

Specifications

Certifications

- ANSI/BHMA A156.31, Grade 1
- UL 1034 burglary-resistant listed and suitable for outdoor use
- UL 294 listed
- RoHS compliant

Frame Application

- Metal
- Wood
- Aluminum

Electrical (DC Continuous Duty)

- Dual voltage 12/24 VDC/VAC
- 240 mA at 12 VDC/120 mA at 24 VDC
- PoE friendly

Dimensions

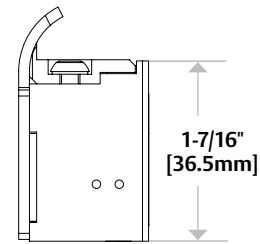
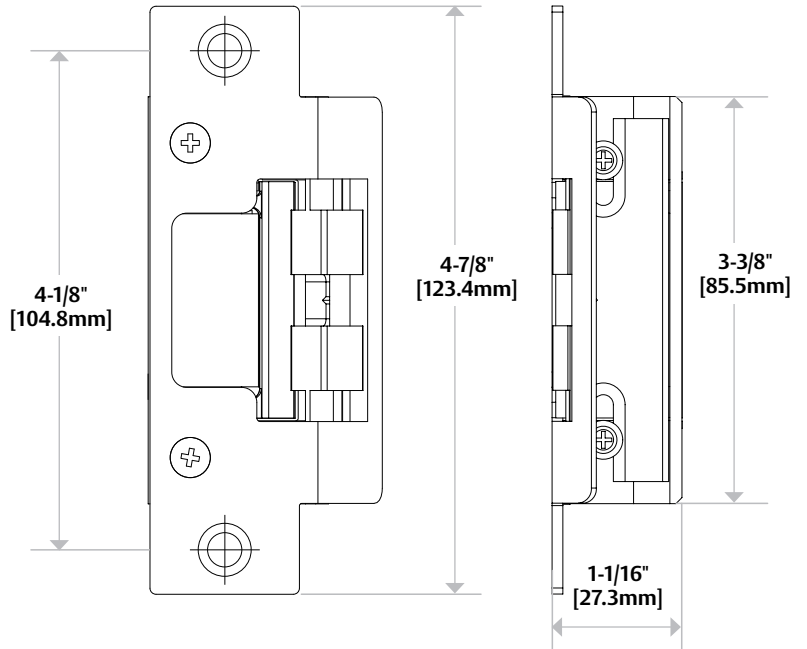


Diagram shown with 801 Option














How to Order

SERIES	MODEL	FINISH*	OPTION (S)
8000	—	— 630	— LBM
8000 Universal Electric Strike; faceplates ordered separately	C* Complete Electric Strike; includes the 801 and 801A faceplates (blank) Strike Body Only	605 Bright Brass 606 Satin Brass 612 Satin Bronze 613 Bronze Toned 629 Bright Stainless Steel 630 Satin Stainless Steel BLK Black	(blank) No Monitor LBM Latchbolt Monitor

*Complete Pacs are only available in the 630 finish

NOTE: Electric strike compatibility is determined at time of electric strike product release. ASSA ABLOY is not responsible for incompatibility of products that have changed in design or craftsmanship by their respective manufacturers. When compatibility is a concern, contact Customer Support for application assistance.

8000/8300 Series Faceplate Options

OPERATION	 <p>After releasing the latchbolt, the keeper returns to the locked position.</p>
 <p>4-7/8" × 1-1/4" [123.8mm x 31.75mm] Square corners</p>	<p>801 Option</p> <p>For use with: Cylindrical locksets in ANSI metal jambs, with latchbolts up to 5/8" [15.9mm] throw.</p> <p>ANSI/BHMA Numbers: E05031, E09321, E09322, E09323</p> 
 <p>4-7/8" × 1-1/4" [123.8mm x 31.75mm] Radius corners and flat faceplate</p>	<p>801A Option</p> <p>For use with: Cylindrical locksets with latchbolts up to 5/8" [15.9mm] throw. Includes universal mounting tabs. Aluminum frames.</p> <p>ANSI/BHMA Numbers: E05031, E09321, E09322, E09323</p> 
 <p>4-7/8" × 1-1/4" [123.8mm x 31.75mm] 1/4" extended lip</p>	<p>801E Option</p> <p>For use with: Extended lip for 'knock-down' style frame installations. For use with cylindrical latchbolts up to 5/8" [15.9mm] throw.</p> <p>ANSI/BHMA Numbers: E05031, E09321, E09322, E09323</p> 
 <p>7-15/16" × 1-7/16" [201.6mm x 36.5mm]</p>	<p>802 Option</p> <p>For use with: Cylindrical locksets with latchbolts up to 5/8" [15.9mm] throw. Includes universal mounting tabs. Aluminum frames.</p> <p>ANSI/BHMA Numbers: E05031, #E09321, E09322, E09323</p> 
 <p>6-7/8" × 1-1/4" Radius corners and flat faceplate</p>	<p>803 Option</p> <p>For use with: Cylindrical locksets with latchbolts up to 5/8" [15.9mm] throw. Includes universal mounting tabs. Aluminum frames.</p> <p>ANSI/BHMA Numbers: E05031, E09321, E09322, E09323</p> 
 <p>9" × 1-3/8" [123.8mm x 34.9mm] Radius corners and flat faceplate</p>	<p>805 Option</p> <p>For use with: Cylindrical locksets. Latchbolts up to 5/8" [15.9mm] throw. Four point mounting for wood installations.</p> <p>ANSI/BHMA Numbers: #E05031, #E09321, #E09322, #E09323</p> 

"For use with" information is offered as a recommendation only. Reference should be made to the lockset manufacturer for proper installation instructions necessary to meet compatibility requirements.

Reduce your install time by evaluating your opening

The 8000/8300 Electric Strikes can be adjusted to compensate for frame and door irregularities. Sometimes, adjusting the frame and door back to industry standards is not an option. Here are some tips to quickly compensate for frame twist and determine the condition of the latchbolt.

Measure Frame Twist

One way to measure frame twist is to place a carpenter square on the stop and the face of the door. If the angle is less than 90 degrees, the 45 degree ramp angle of the 8000/8300 is steepened and may need to be corrected as shown (*Figure 1*).

We recommend you check the condition of the latchbolt prior to installing the 8000/8300. Poorly constructed, worn out or damaged latchbolts may not slide along a ramp at any angle. To check the condition of your latchbolt, we recommend applying a slight force to the tip of the latchbolt (about 45 degrees to the door face). Make sure the latchbolt can be pushed up into the door.

Compensate for Frame Twist

When a frame is twisted, the relationship between the face of a closed door and of the inside face of the frame (i.e., rabbet) may not meet the 90 degree industry standard. Untrue frames and doors impact latchbolt wear and the force required to exit, so we recommend you ensure that the angle is between 90–95 degrees.

If manipulating the frame is not possible, we recommend placing several shims included under the top and bottom (stop side) of the faceplate (*Figure 2*). This effectively increases the 8000/8300 ramp angle and compensates for frame twist. You can also compensate for frame twist by placing shims under the top and bottom (bevel side) of the latchbolt (*Figure 3*).

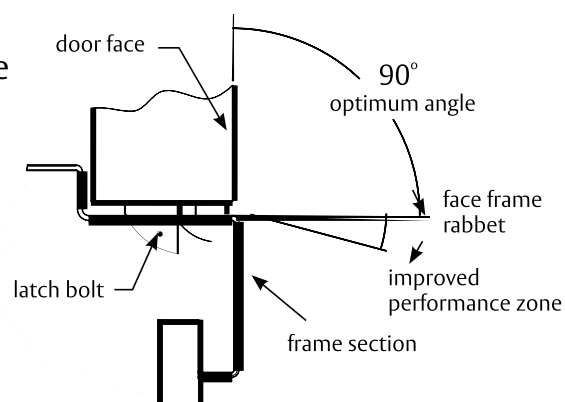


Figure 1

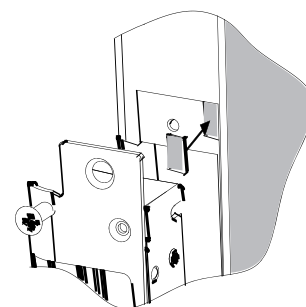


Figure 2

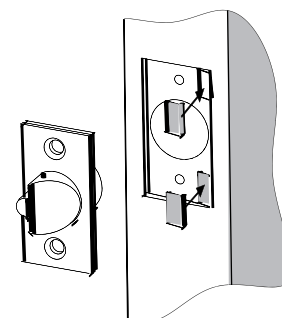


Figure 3