

SC90A Series



Designed for light-duty interior applications the Falcon SC90A closer ensures smooth, reliable operation. The SC90A is backed by a ten-year warranty and is preset for easy installation.

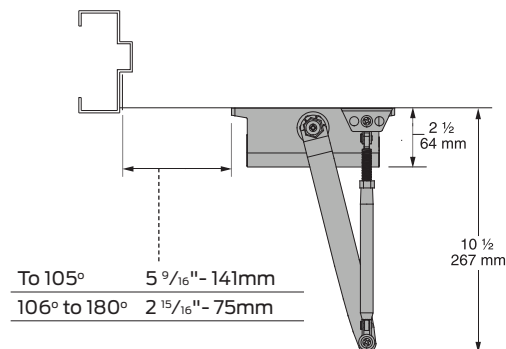
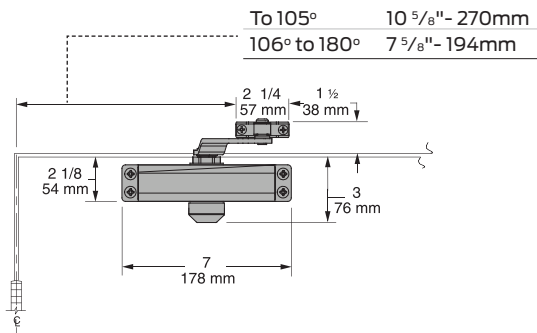
Standard features

- Single piece cast aluminum body
- Fixed sizes 1, 3 and 4
- Separate adjustable general speed and latch speed
- SC90A closer mounts hinge side, top jamb, or parallel arm when the RW/PA arm is specified
- Non-handed for left or right swinging doors
- Heat-treated pinion and steel piston
- SC93A/94A comes standard with a universal screw pack for aluminum, hollow metal, and wood doors, includes self reaming and tapping screws
- Meets ANSI A117.1
- Listed ANSI/BHMA A156.4, grade 3
- Comes standard with adjustable backcheck; optional no backcheck available
- SC93A/94A is UL listed and compliant to UL10C and UBC 7-2 (1997)
- 10-year warranty
- Offered in aluminum and dark bronze finish

Listings and ratings

The Falcon SC93A/94A Series is UL approved and compliant with the UL 10C and UBC 7-2 (1997) fire test. Additionally the SC91A closers are designed to meet the American Disabilities Act (ADA) and ANSI A117.1. The SC90A Series is listed ANSI/BHMA A156.4, Grade 3.

SC91A Hinge (pull side)

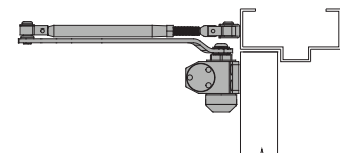


Butt Hinges should not exceed 5" (127mm) in width.

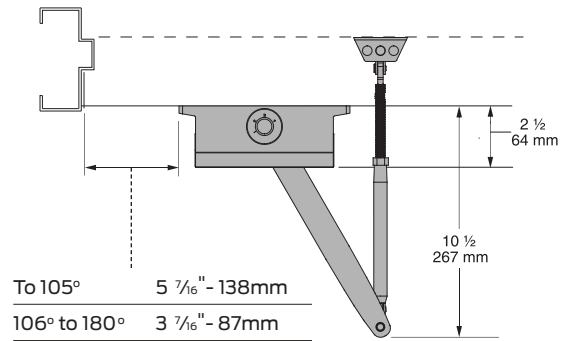
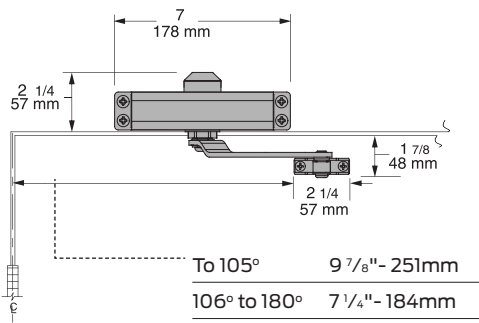
Auxiliary Stop is recommended at hold-open point or where a door cannot swing 180°

Reveal should not exceed 3/4" (19mm) for regular arm.

Clearance of 2 1/2" (64mm) behind door required for 90° installation.



SC91A Top jamb (push side)

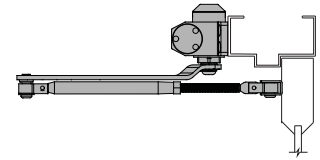


Butt hinges should not exceed 5" (127mm) in width.

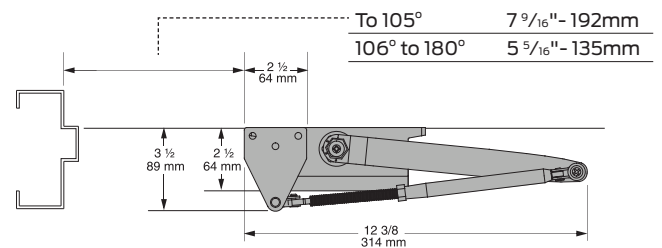
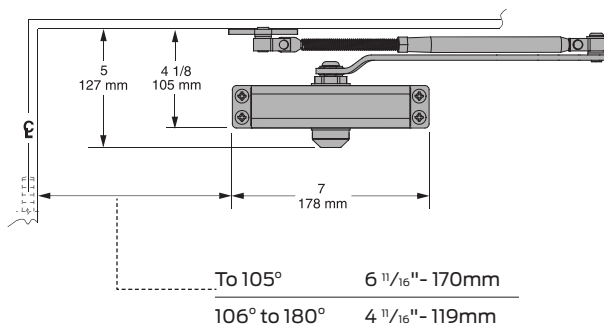
Auxiliary stop is recommended at hold-open point or where a door cannot swing 180°.

Reveal should not exceed 2" (51mm) for regular arm or hold-open arm.

Note: Top jamb mount is only available with the regular arm.

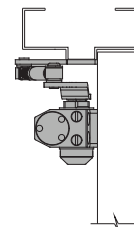


SC91A Parallel (push side)



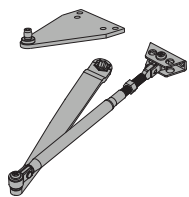
Butt hinges should not exceed 5" (127mm) in width.

Auxiliary stop is recommended at hold-open point or where a door cannot swing 180°.

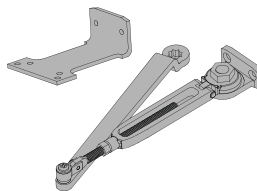


Arm types and accessories

All SC91A closers come with standard arm. Optional pinion caps are also available for replacement.



Regular arm, SC91A-3077PA
Non-handed arm with adjustable forearm assembly to accommodate a range of doors and frame reveal conditions. Mounts hinge side, top jamb or parallel arm. PA shoe included to allow installation in a parallel arm configuration. Available only on SC91A closers.

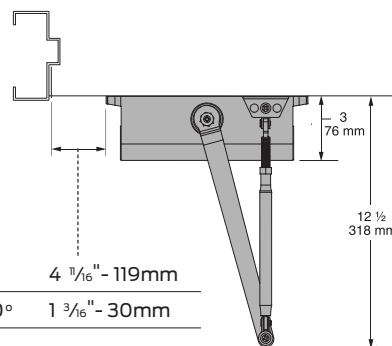
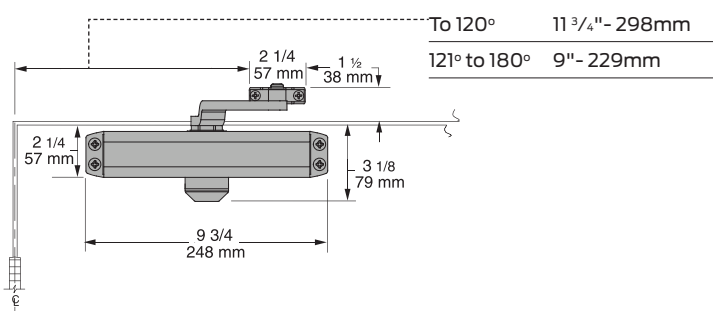


Hold-open arm, SC91A-3049PA
Optional, non-handed, hold open arm with adjustable forearm assembly to accommodate a range of doors and frame reveal conditions. Mounts hinge side, top jamb or parallel arm. PA shoe included to allow installation in a parallel arm configuration. Available only on SC91A closers.



Pinion cap, SC91A
Available for replacement with SC91A.

SC93A/94A Hinge (pull side)

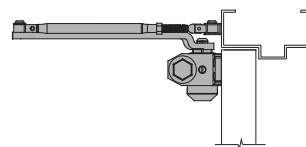


Butt hinges should not exceed 5" (127mm) in width.

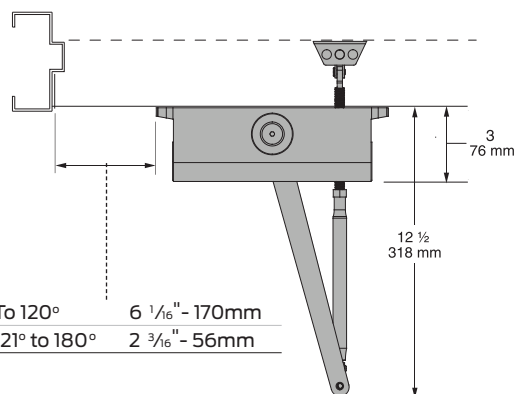
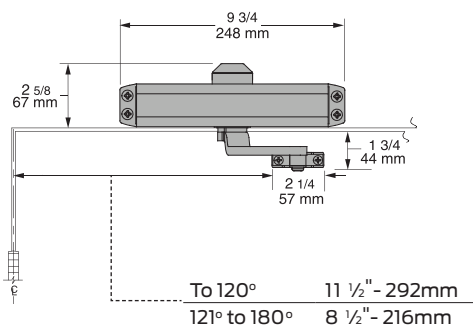
Auxiliary stop is recommended at hold-open point or where a door cannot swing 180°.

Reveal should not exceed $\frac{3}{4}$ " (19mm) for regular arm.

Clearance of 3" (76mm) behind door required for 90° installation.



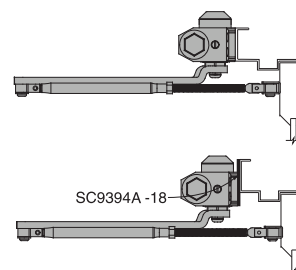
SC93A/94A Top jamb (push side)



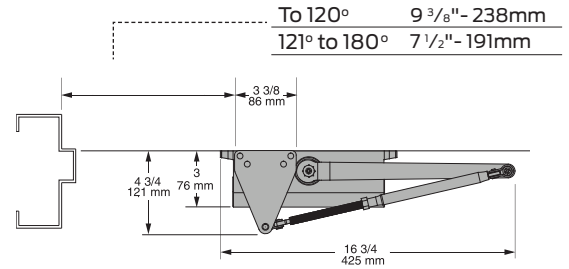
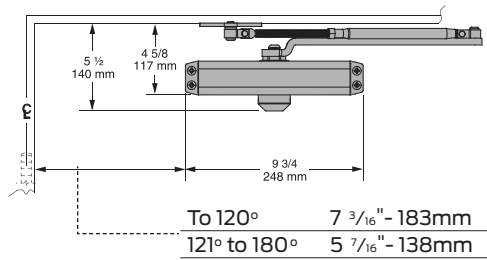
Butt hinges should not exceed 5" (127mm) in width.

Auxiliary stop is recommended at hold-open point or where a door cannot swing 180°.

Reveal should not exceed $3 \frac{1}{4}$ " (83mm) for regular arm.

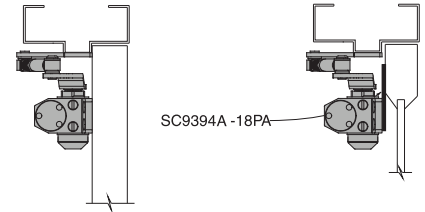


SC93A/94A Parallel (push side)



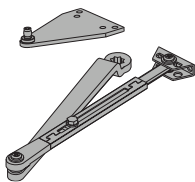
Butt hinges should not exceed 5" (127mm) in width.

Auxiliary stop is recommended at hold-open point or where a door cannot swing 180°. Backcheck closer with the backcheck option requires 105° mounting.



Arm type and accessories

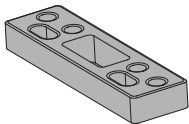
All SC93A/94A closers come with standard arm and screw pack. Optional accessories available for order.



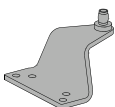
Regular arm, SC90A-3077PA
Non-handed arm with adjustable forearm assembly to accommodate a range of doors and frame reveal conditions. Mounts hinge side, top jamb or parallel arm. PA shoe included to allow installation in a parallel arm configuration. Available with SC93A/94A only.



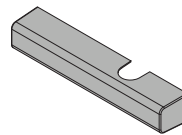
Soffit shoe support, SC90A-30
Provides anchorage for fifth screw used with soffit shoe, where reveal is less than 3 1/16" (78mm).



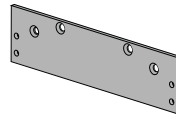
Blade stop spacer, SC90A-61
Required to lower parallel arm shoe to clear 1/2" (13mm) blade stop.



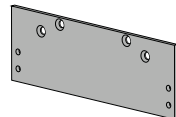
Auxiliary shoe, SC90A-62A
Requires a top rail of 7" (178mm). Optional shoe replaces PA shoe for parallel arm mounting of regular arm with overhead holder/stop.



Slim cover, SC90A-72
Optional non-handed, slim plastic cover. Available only with SC93A.



Plate, SC90A-18
Required for top jamb mounting where head frame is less than 1 3/4" (44mm) or flush ceiling conditions exists. Available only with SC93A/94A.



Plate, SC90A-18PA
Required for parallel arm mounting where top rail is less than 4 5/8" (117 mm), measured from the stop. Plate requires 2 1/8" (54mm) minimum top rail measured from stop. Available only with SC93A/94A.



Pinion cap, SC90A
Available for replacement with SC93A/94A.