

# Strikes /accessories

## Strikes

### 1690 Concealed vertical rod device



**PB48**  
Top strike for 1690 device. Packed with three 0.050" thick shims. 1 1/16" x 1 1/16" x 7/16" (H x W x D)

### 1790 Rim device



**STK45**  
Strike for inactive leaf, pair of doors with 1790 device. 3 1/4" x 1 5/16" x 1/4" (H x W x D)



**TD35**  
Strike for single doors, 1790 device. Includes 1/8" shim. 3" x 2" x 1/2" (H x W x D)

### (F) 19-R Rim devices



**F570**  
Standard strike. 2 5/8" x 1 1/4" x 19/16" (H x W x D)



**F490**  
Optional strike. 2 5/8" x 1 1/4" x 7/8" (H x W x D)



**565**  
Adjustable surface mounted for use with blade or applied stops. Mounts flush for 1/2" stop height.



**571/571A**  
Used on inactive leaf for device on active leaf of pair of doors without removable mullion. 571 keeps 2 5/16" backset. 571A is trimmer and projects less into opening.

### (F) 19-V Surface vertical rod devices



**3788**  
Top strike for 19-V.



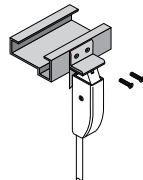
**2130**  
19-V bottom strike for grouting into concrete or masonry floors.



**4155**  
19-V optional bottom strike.



**2126A**  
19-V optional bottom strike.

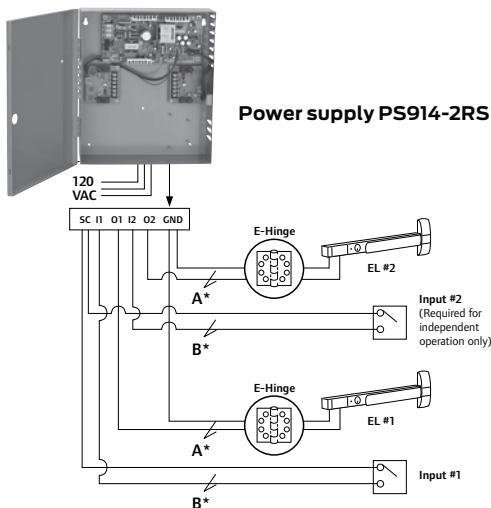


**4215**  
Angle bracket for 19-V devices flush transom applications. Does not require elimination of latch retention feature.



**Extension rods**  
Extension rods are available in 12", 24" and 36" lengths in all finishes. Both ends tapped and all-thread included as connector.

## Popular EL application



### EL Device wire selection size

A*	Run length	EL device w/EPT or door loop
	0-100 ft.	14 gauge
	100-200 ft.	12 gauge

A*	Run length	EL device w/electric hinge/pivot
	0-75 ft.	14 gauge
	76-150 ft.	12 gauge

B*	Wire selection	Switch wire size
	1200 ft. max.	18 gauge