

STANLEY®



Spring Hinges

dormakaba 

Trusted experts. Proven reliability. Simply STANLEY.

Spring Hinges

Full Mortise

2060R – (ANSI K81071F) Square corners – steel-polished and plated or phosphated and prime coated for painting

2060R (32) – (ANSI K51071F) Square corners – stainless steel – highly polished

2060R (32D) – (ANSI K51071F) Square corners – stainless steel – satin finish

RD2060R – (ANSI K81071F) 1/4" (6mm) Radius corners – steel-polished and plated or phosphated and prime coated for painting

RD2060R (32) – (ANSI K51071F) 1/4" (6mm) Radius corners – stainless steel – highly polished

RD2060R (32D) – (ANSI K51071F) 1/4" (6mm) Radius corners – stainless steel – satin finish

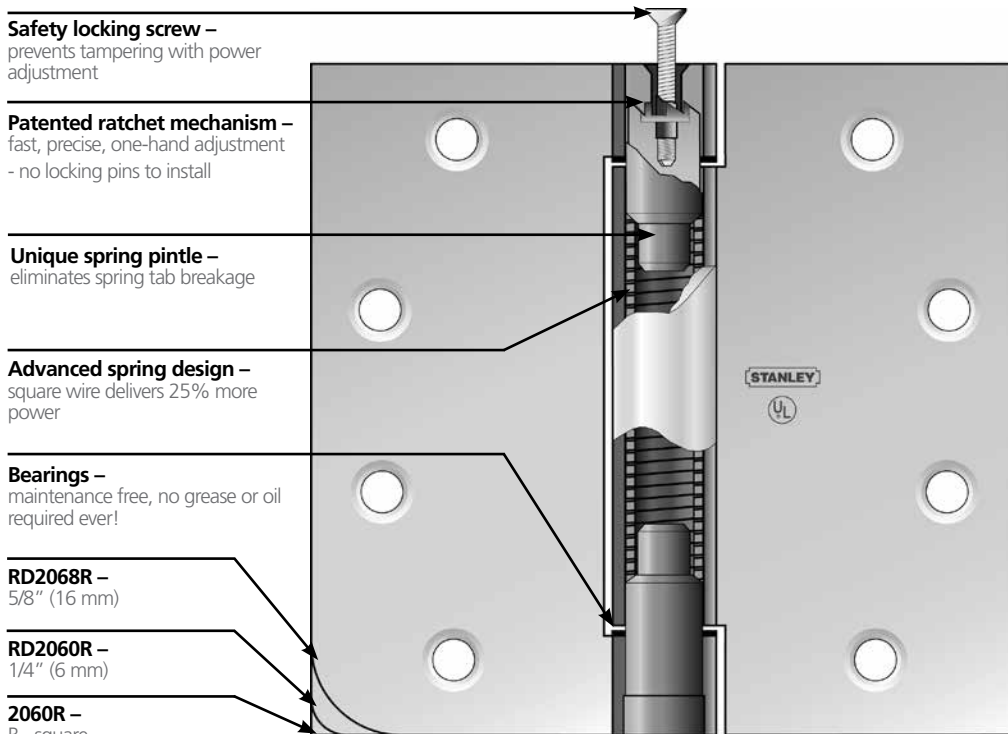
RD2068R – (ANSI K81071F) 5/8" (16mm) Radius corners – Steel-polished and plated or phosphated and prime coated for painting

RD2068R (32) – (ANSI K51071F) 5/8" (16mm) Radius corners – stainless steel – highly polished

RD2068R (32D) – (ANSI K51071F) 5/8" (16mm) Radius corners – stainless steel – satin finish



- For labeled fire doors, stairwell doors, motel and hotel guest room doors, apartment unit entrance doors.
- Meets NFPA80 standard for 3 hour fire doors (NFPA-80 stipulates minimum of 2 spring hinges shall be used on labeled doors)
- 4 1/2" (114mm) size – UL listed for door up to 4' x 8' (1219 x 2438mm)
- 4" (102mm) size – approved for door up to 3' x 7' (914 x 2134mm)
- 3 1/2" (89mm) size – approved for door up to 2' 8" x 7' (813 x 2134mm)
- Limited lifetime warranty for the life of the building
- Internal ratchet mechanism eliminates loose adjustment pins
- Closing power is adjustable up or down
- Excellent alternative to more expensive overhead mounted closers
- Hinges can be furnished as follows:
 - with decorative tips
 - with electric switches (CS) – 4 1/2" (114 mm) only
 - Special screw hole pattern



Adjusting Instructions

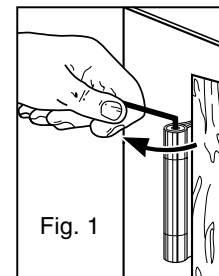


Fig. 1

To Increase Torque (Fig 1)

- Close door
- Engage 5/32" hex wrench
- Rotate clockwise to increase torque
- Do not exceed 6 ratchet "clicks"

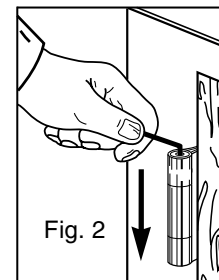


Fig. 2

To Decrease Torque (Fig 2)

- Close door
- Engage 5/32" hex wrench
- Depress wrench to disengage ratchet
- Let wrench rotate counter-clockwise to new setting
- Allow wrench to rise

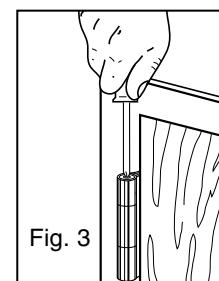


Fig. 3

Install Locking Safety Screw (Fig 3)

- Install 6-32 5/8" recessed head machine screw packed with hinge

Spring Hinges

2060R, RD2060R, RD2068R – 4 1/2"

| Size Open | | Gauge of Metal | | Flat Head Screws Per Piece | | Quantity Per Box | Quantity Per Case | Case Weight | |
|---------------|-------------|----------------|-------|----------------------------|--------------|------------------|-------------------|-------------|------|
| Inches | (mm) | Inches | (mm) | Machine | Wood | | | Lbs. | (Kg) |
| 4 1/2 x 4 | (114 x 102) | .134 | (3.4) | 8-12-24 x 1/2 | 8-12 x 1 1/4 | 3 ea. | 48 ea. | 50 | (23) |
| 4 1/2 x 4 1/2 | (114 x 114) | .134 | (3.4) | 8-12-24 x 1/2 | 8-12 x 1 1/4 | 3 ea. | 48 ea. | 53 | (24) |

Application guide lines for 2060R, RD2060R, RD2068R 4 1/2" x 4" and 4 1/2" x 4 1/2"

| Door Size and Weight | Number of Spring Hinges Required |
|---|--|
| For doors up to 80 lbs. (36Kg) not exceeding 3' 0" x 7' 6" x 1 3/4" (914 x 2286 x 44mm) | 1 each No. 2060R, RD2060R or RD2068R with 2 each anti-friction bearing hinges of same size |
| For doors up to 130 lbs. (59Kg) not exceeding 3' 0" x 7' 6" x 1 3/4" (914 x 2286 x 44mm) | 2 each No. 2060R, RD2060R or RD2068R with 1 each anti-friction bearing hinges of same size |
| For doors up to 180 lbs. (81.6Kg) not exceeding 3' 0" x 7' 6" x 1 3/4" (914 x 2286 x 44mm) | 3 each No. 2060R, RD2060R or RD2068R |
| For doors up to 180 lbs. (81.6Kg) not exceeding 4' 0" x 8' 0" x 1 3/4" (1219 x 2438 x 44mm) | 4 each No. 2060R, RD2060R or RD2068R |

When drafts or wind conditions exist, or carpets, door bottoms, bowed or twisted doors or frames, pivot point misalignment or improper latch adjustment affect either the free swinging or latching of the door, additional spring hinges may be required.

*NFPA-80 stipulates minimum of 2 spring hinges shall be used on labeled doors.

2060R, RD2060R, RD2068R – 4"

| Size Open | | Gauge of Metal | | Flat Head Screws Per Piece | | Quantity Per Box | Quantity Per Case | Case Weight | |
|-----------|-------------|----------------|-------|----------------------------|---------|------------------|-------------------|-------------|------|
| Inches | (mm) | Inches | (mm) | Machine | Wood | | | Lbs. | (Kg) |
| 4 x 4 | (102 x 102) | .099 | (2.5) | 8-12-24 x 1/2 with #9 head | 8-9 x 1 | 2 ea. | 50 ea. | 38 | (17) |

Application guide lines for 2060R, RD2060R, RD2068R 4" x 4"

| Door Size and Weight | Number of Spring Hinges Required |
|--|---|
| For doors up to 3' 0" x 7' 0" x 1 3/4" (914 x 2134 x 44mm) not exceeding 50 lbs. (23Kg) | 1 each No. 2060R, RD2060R or RD2068R with 2 each similar sized hinges |
| For doors up to 3' 0" x 7' 0" x 1 3/4" (914 x 2134 x 44mm) not exceeding 85 lbs. (39Kg) | 2 each No. 2060R, RD2060R or RD2068R with 1 each similar sized hinge |
| For doors up to 3' 0" x 7' 0" x 1 3/4" (914 x 2134 x 44mm) not exceeding 110 lbs. (50Kg) | 3 each No. 2060R, RD2060R or RD2068R |

Similar sized hinges used with spring hinges must present the same pivot point. When used as part of a complete listed assembly similar hinges must be the same as those tested. Otherwise, anti-friction hinges must be used.

*NFPA-80 stipulates minimum of 2 spring hinges shall be used on labeled doors.

2060R, RD2060R, RD2068R – 3 1/2"

| Size Open | | Gauge of Metal | | Flat Head Screws Per Piece | | Quantity Per Box | Quantity Per Case | Case Weight | |
|---------------|---------|----------------|-------|----------------------------|---------|------------------|-------------------|-------------|------|
| Inches | (mm) | Inches | (mm) | Machine | Wood | | | Lbs. | (Kg) |
| 3 1/2 x 3 1/2 | (89x89) | .099 | (2.5) | 6-10-24 x 1/2 with #9 head | 6-9 x 1 | 2 ea. | 50 ea. | 32 | (15) |

Application guide lines for 2060R, RD2060R, RD2068R 3 1/2" x 3 1/2"

| Door Size and Weight | Number of Spring Hinges Required |
|--|---|
| For doors up to 3' 0" x 7' 0" x 1 3/8" (914 x 2134 x 35mm) not exceeding 50 lbs. (23Kg) | 1 each No. 2060R, RD2060R or RD2068R with 2 each similar sized hinges |
| For doors up to 3' 0" x 7' 0" x 1 3/8" (914 x 2134 x 35mm) not exceeding 85 lbs. (39Kg) | 2 each No. 2060R, RD2060R or RD2068R with 1 each similar sized hinge |
| For doors up to 3' 0" x 7' 0" x 1 3/8" (914 x 2134 x 35mm) not exceeding 110 lbs. (50Kg) | 3 each No. 2060R, RD2060R or RD2068R |

Similar sized hinges used with spring hinges must present the same pivot point. When used as part of a complete listed assembly similar hinges must be the same as those tested. Otherwise, anti-friction hinges must be used.

*NFPA-80 stipulates minimum of 2 spring hinges shall be used on labeled doors.

Spring Hinges

2079 Spring Hinges And Free Swinging Hinge Sets

1 set 2079 4 1/2" x 4 1/2" US3 (632) EDP# 82-7162 to consist of:

- 2 each 2060R 4 1/2" x 4 1/2" US3, Steel
- 1 each FBB179 4 1/2" x 4 1/2" US3, Steel

1 set 2079 4 1/2" x 4 1/2" USP (600) EDP# 82-7170 to consist of:

- 2 each 2060R 4 1/2" x 4 1/2" USP, Steel
- 1 each FBB179 4 1/2" x 4 1/2" USP, Steel

1 set 2079 4 1/2" x 4 1/2" US26D (652) EDP# 82-7188 to consist of:

- 2 each 2060R 4 1/2" x 4 1/2" US26D, Steel
- 1 each FBB179 4 1/2" x 4 1/2" US26D, Steel

- For medium weight doors of average frequency
- Installer uses one box of hinges on a door up to 7' 6" (2286mm) in height
- All hinges have template screw hole location to use on either wood or hollow metal doors and frames
- Identical pivot point for all 3 hinges
- Can be used on labeled doors (Refer to NFPA-80)
- 2060R conforms to ANSI K81071F
- FBB179 conforms to ANSI A8112



FBB179



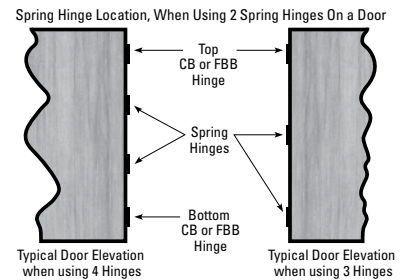
2060R

Application guide lines for 2060R – 4 1/2"

| Door Size and Weight | Number of Spring Hinges Required |
|--|--|
| For doors up to 130lbs. (59 Kg) not exceeding 3' 0" x 7' 6" x 1 3/4" (914 x 2286 x 44mm) | 2 each No. 2060R, RD2060R or RD2068R with 1 each anti-friction bearing hinges of same size |

When drafts or wind conditions exist, or carpets, door bottoms, bowed or twisted doors or frames, pivot point misalignment or improper latch adjustment affect either the free swinging or latching of the door, additional spring hinges may be required.

*NFPA-80 stipulates minimum of 2 spring hinges shall be used on labeled doors.



| Class Number | Size Open | | Gauge of Metal | | Flat Head Screws Per Piece | | Quantity Per Box | Quantity Per Case | Case Weight | |
|--------------|---------------|-------------|----------------|-------|----------------------------|---------------|------------------|-------------------|-------------|------|
| | Inches | (mm) | Inches | (mm) | Machine | Wood | | | Lbs. | (Kg) |
| 2079 | 4 1/2 x 4 1/2 | (114 x 114) | .134 | (3.4) | 24-12-24 x 1/2 | 24-12 x 1 1/4 | 1 set | 16 sets | 55 | (25) |

STANLEY®

6161 East 75th Street
Indianapolis, IN 46250 USA

Phone 855-365-2407

stanleyhardwarefordoors.com

SAH010 Rev10/28/2018
© 2018 dormakaba USA Inc. All rights reserved.

© 2018 Stanley Black & Decker, Inc. STANLEY® and the STANLEY® Notched Rectangle logo are registered trademarks of Stanley Black & Decker Inc. or one of its affiliates, and are used under license

dormakaba

dormakaba.com