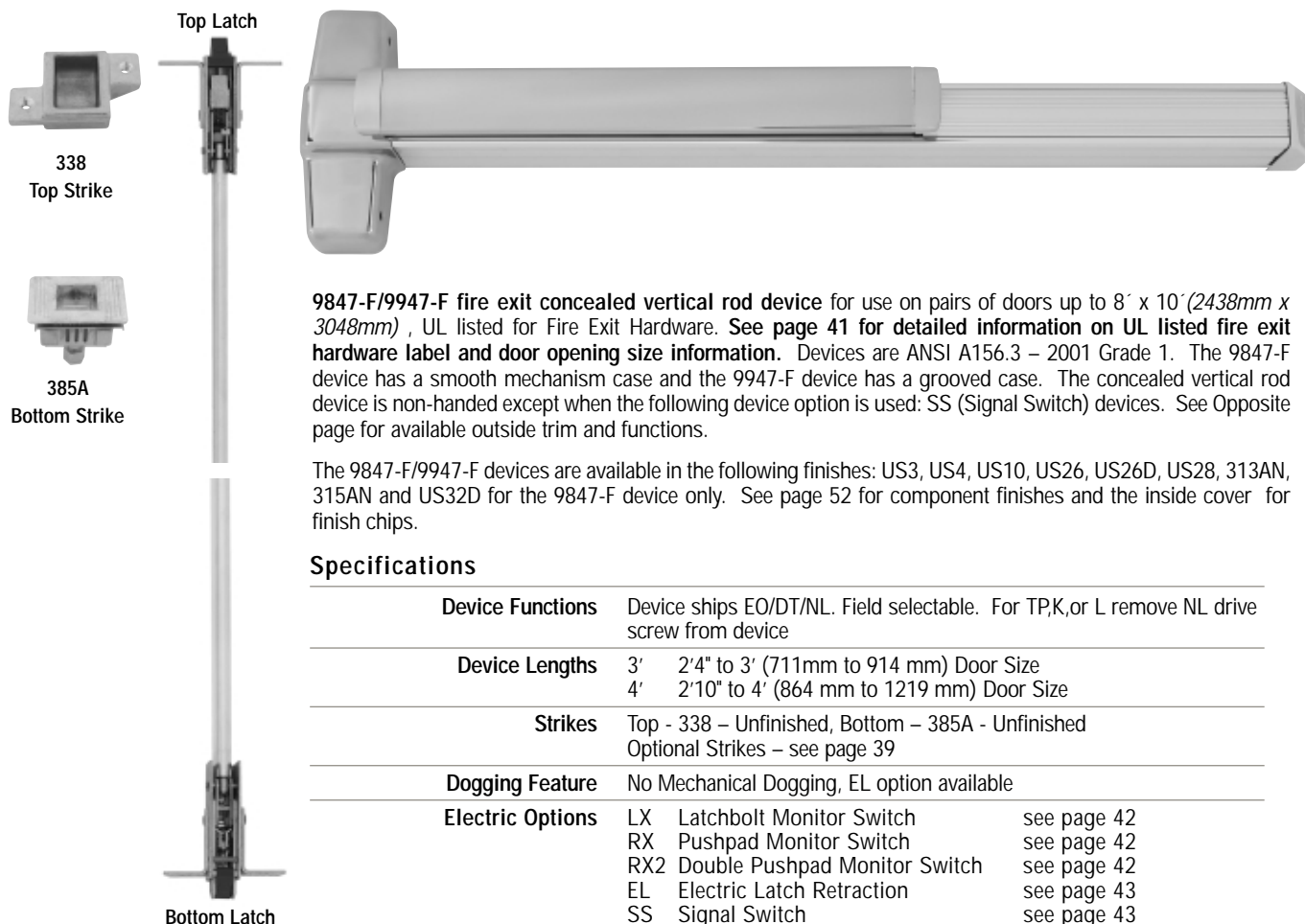


VON DUPRIN® 9847-F/9947-F Concealed Vertical Rod Fire Device



9847-F/9947-F fire exit concealed vertical rod device for use on pairs of doors up to 8' x 10' (2438mm x 3048mm) , UL listed for Fire Exit Hardware. **See page 41 for detailed information on UL listed fire exit hardware label and door opening size information.** Devices are ANSI A156.3 – 2001 Grade 1. The 9847-F device has a smooth mechanism case and the 9947-F device has a grooved case. The concealed vertical rod device is non-handed except when the following device option is used: SS (Signal Switch) devices. See Opposite page for available outside trim and functions.

The 9847-F/9947-F devices are available in the following finishes: US3, US4, US10, US26, US26D, US28, 313AN, 315AN and US32D for the 9847-F device only. See page 52 for component finishes and the inside cover for finish chips.

Specifications

Device Functions	Device ships EO/DT/NL. Field selectable. For TP,K,or L remove NL drive screw from device	
Device Lengths	3' 2'4" to 3' (711mm to 914 mm) Door Size 4' 2'10" to 4' (864 mm to 1219 mm) Door Size	
Strikes	Top - 338 – Unfinished, Bottom – 385A - Unfinished Optional Strikes – see page 39	
Dogging Feature	No Mechanical Dogging, EL option available	
Electric Options	LX Latchbolt Monitor Switch	see page 42
	RX Pushpad Monitor Switch	see page 42
	RX2 Double Pushpad Monitor Switch	see page 42
	EL Electric Latch Retraction	see page 43
	SS Signal Switch	see page 43
	CX Chexit Delayed Exit	see page 45
	ALK Alarm Exit Kit	see page 42
Miscellaneous Options	PN Pneumatic Latch Retraction	see page 48
	LBR Less Bottom Rod	see page 49
	GBK Glass Bead Kit	see page 49
Fasteners & Sex Bolts (SNB)	Includes 1 3/4" (19mm) – 2 1/4" (57mm) Wood & Metal Doors Optional SNB available for device, see next page for quantities Optional SLM Blocking Pkg for wood doors with SLM blocking SNB required for wood doors, unless SLM Blocking Pkg specified	
Latch Bolt	Deadlocking Anti-friction Top & Bottom Bolt, 5/8" (16mm) throw	
Device Centerline from Finished Floor	39 5/8" (1006 mm) Standard, Adjustable from 35 5/8" (905mm) to 49 5/8" (1260mm)	
Door Undercut	1/4" (7mm) maximum	
Center Case Dimensions	8" x 2 3/4" x 2 3/8" (203mm x 70mm x 60mm)	
Mechanism Case Dimensions	2 1/4" x 2 1/4" (57mm x 57mm)	
Top & Bottom Latch Case	4 1/2" x 2 1/8" x 1 1/2" (114mm x 54mm x 38mm)	
Vertical Rods	Round 2 piece adjustable rods Top rod adjustable from 6'8" (2027mm) to 8'4"(2533mm) Bottom rod adjustable 35 5/8" (905 mm) to 49 5/8" (1260 mm) Extension rod kits available for doors over 8'4" (2533mm)	
Projection	Pushbar Neutral – 3 13/16" (97 mm) Pushbar Depressed – 3 1/16" (78 mm)	

See page 53 for How to Order specification

	Exit only	Dummy Trim Pull when Dogged (Not recommended for Fire Device)	Night Latch Key Retracts Latchbolt	Night Latch Key Retracts Latchbolt Optional Pull Required	Thumbturn Key Locks & Unlocks (Use with DT Trim)	Thumbturn Blank Escutcheon Always Operable (No Cylinder) (Use with DT Trim)
Product Description	9847EO-F 9947EO-F	---	9847NL-F 9947NL-F	9847NL-OP-F 9947NL-OP-F	9847TL-F 9947TL-F	9847TL-BE-F 9947TL-BE-F
Trim Description	---	990DT	990NL-R/V	110NL-MD	374T x 990DT	374T-BE x 990DT
Escutcheon Plate Size	---	3" x 14 ⁹ / ₁₆ " x ³ / ₃₂ " (76x360x2mm)	3" x 14 ⁹ / ₁₆ " x ³ / ₃₂ " (76x360x2mm)	---	2 ³ / ₄ " x 10 ³ / ₄ " x ²⁷ / ₃₂ " (70x273x21mm)	2 ³ / ₄ " x 10 ³ / ₄ " x ²⁷ / ₃₂ " (70x273x21mm)
Pull Center to Center	---	5 ¹ / ₂ " (140mm)	5 ¹ / ₂ " (140mm)	---	---	---
Projection	---	2" (51mm)	2" (51mm)	---	3 ¹ / ₄ " (83mm)	3 ¹ / ₄ " (83mm)
ANSI Function	01	02	03	03	11	---
Cylinder Type	---	---	Rim	Rim	1 ¹ / ₄ " Mortise	---
Optional Trim (See pages 32 – 34)	x990EO x992EO x994EO x996EO	x991K-DT x992L-DT x994L-DT x996L-DT x696DT x697DT	x991K-NL x992L-NL x994L-NL x996L-NL x696NL x697NL			
#425 SNB optional-HMD Req. WD w/o SLM Pkg.	6	2	2	6	2	2

	Lever Key Locks & Unlocks	Lever – Night Latch Key Retracts Latchbolt	Lever – Blank Escutcheon Always operable (No Cylinder)	Lever Dummy Trim Pull when Dogged (Not recommended for Fire Device)
Product Description	9847L-F 9947L-F	9847L-NL-F 9947L-NL-F	9847L-BE-F 9947L-BE-F	---
Trim Description	996L-CV	996L-NL-CV	996L-BE-CV	996L-DT-CV
Escutcheon Plate Size	2 ³ / ₄ " x 10 ³ / ₄ " x ²⁷ / ₃₂ " (70x273x21mm)	2 ³ / ₄ " x 10 ³ / ₄ " x ²⁷ / ₃₂ " (70x273x21mm)	2 ³ / ₄ " x 10 ³ / ₄ " x ²⁷ / ₃₂ " (70x273x21mm)	2 ³ / ₄ " x 10 ³ / ₄ " x ²⁷ / ₃₂ " (70x273x21mm)
Pull Center to Center	---	---	---	---
Projection	2 ⁷ / ₈ " (73mm)	2 ⁷ / ₈ " (73mm)	2 ⁷ / ₈ " (73mm)	2 ⁷ / ₈ " (73mm)
ANSI Function	08	09	---	02
Cylinder Type	Rim	Rim	---	---
Optional Trim (See pages 32 – 34)	x992L x994L	x992L-NL x994L-NL	x992L-BE x994L-BE	x992L-DT x994L-DT
#425 SNB optional-HMD Req. WD w/o SLM Pkg.	2	2	2	2

For optional trims and functions see pages 32-34