

---

## EXPLANATION OF FEATURES

### Door Plates

For narrow top rails, narrow frame faces, and top jamb hold open installations. Specify finish when ordering separately.

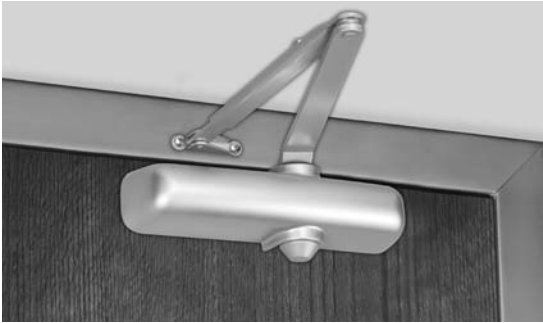
### Molded Slim Line Cover

Molded of high-impact U.L. Listed material, cover encloses closer body and mounting screws.

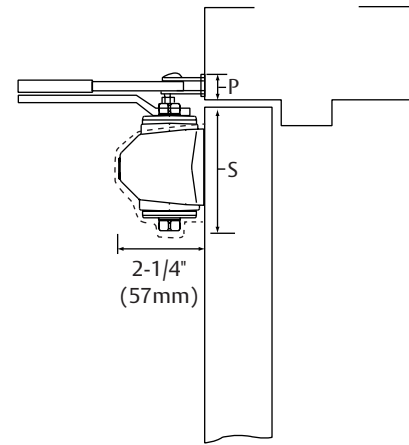
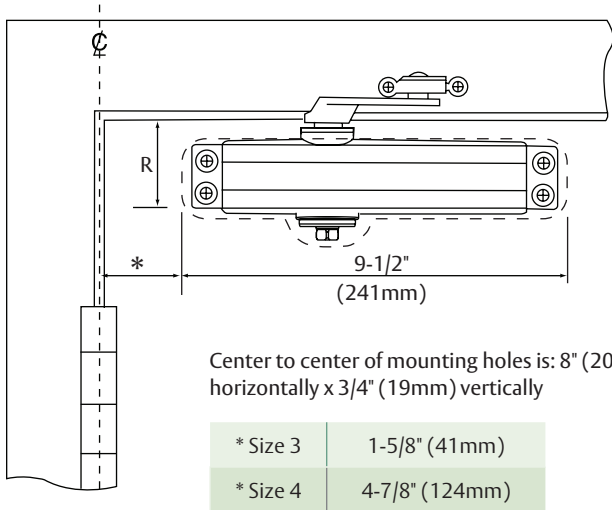
## SPECIFICATIONS

Closers for interior doors shall be full rack-and-pinion type with cast aluminum alloy shell. Closer shall be non-handed to permit installation on either hand of door. Closer to be supplied with brackets to allow regular arm, parallel arm or top jamb mounting. Closer to have noncritical valves to independently regulate sweep speed (and) latch speed (and backcheck cushioning.) (Closer shall be enclosed in a molded slim line cover.) Closer to be Norton 1700 Series.

### REGULAR ARM INSTALLATION



Closer mounts on door;  
Arm bracket on frame face.



R Minimum Top Rail				S Minimum Top Rail Clearance		P Minimum Ceiling Clearance Without Drop Plate	
Without Drop Plate		With N1756 Drop Plate		Non-Hold Open	Hold Open	Non-Hold Open	Hold Open
Non-Hold Open	Hold Open	Non-Hold Open	Hold Open				
2" (51mm)		1-1/4" (32mm)		2-3/4" (70mm)		1" (25mm)	1-3/8" (35mm)

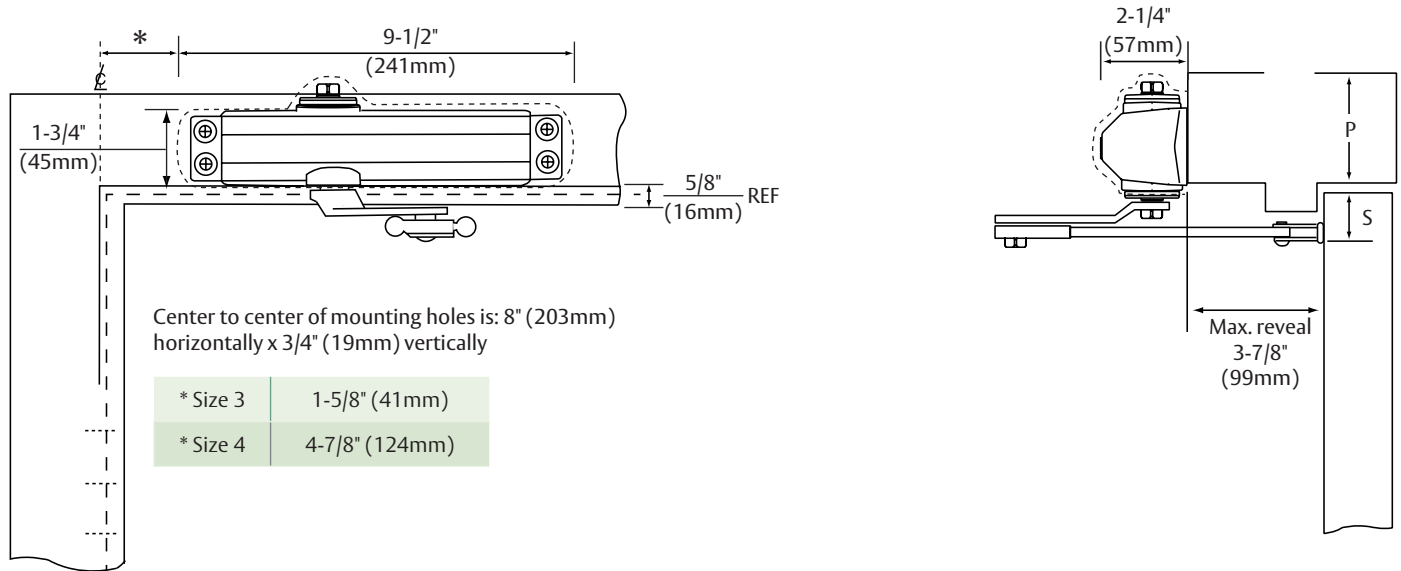
Maximum door swing = 180°

# 1700 SERIES LIGHT COMMERCIAL DOOR CLOSER

## TOP JAMB INSTALLATION



Closer mounts on push side of frame; arm shoe mounts to door.



S Minimum Top Rail 5/8" (16mm) Frame Stop			P Minimum Ceiling Clearance			
Without Drop Plate	With N1757 Drop Plate		Without Drop Plate		With N1757 Drop Plate	
Non-Hold Open	Non-Hold Open	Hold Open	Non-Hold Open	Hold Open	Non-Hold Open	Hold Open
1-5/16" (33mm)	2-1/4" (57mm)	2-5/8" (67mm)	2-1/2" (64mm)	Required*	1-3/4" (44mm)	

**\*Hold open (top jamb) application requires use of N1757 drop plate**

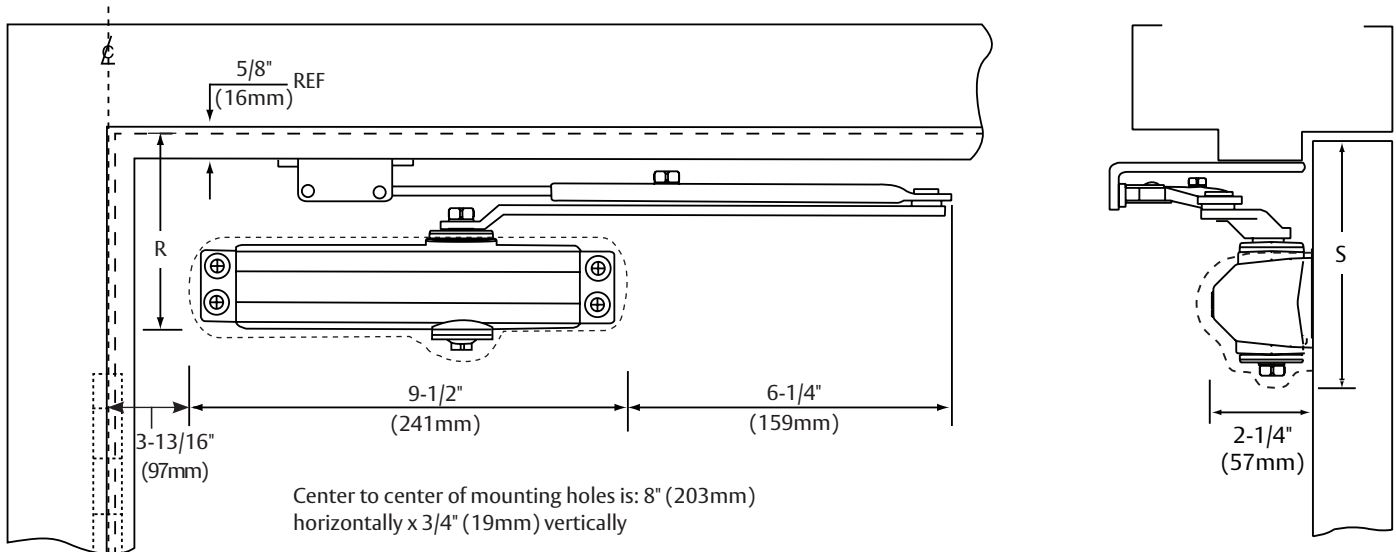
**Maximum door swing**

- Size 3 : 180°; reveals 0" to 3"
- : 160°; reveals 3" to 3-7/8"
- Size 4 : 140°; reveals 0" to 3-7/8"

### PARALLEL ARM INSTALLATION



Closer Mounts on Door;  
Bracket on frame soffit.



R Minimum Top Rail 5/8" (16mm) Frame Stop				S Minimum Top Rail Clearance	
Without Drop Plate		With N1758 Drop Plate		Non-Hold Open	Hold Open
Non-Hold Open	Hold Open	Non-Hold Open	Hold Open		
4-1/2" (114mm)		2-7/8" (73mm)		5" (127mm)	

Maximum door swing = 180°

**1700 SERIES**  
LIGHT COMMERCIAL DOOR CLOSER

**ACCESSORIES**

Part Number	Description
N1756	Drop Plate (Regular Arm)
N1757	Drop Plate (Top Jamb)
N1758	Drop Plate (Parallel Arm)