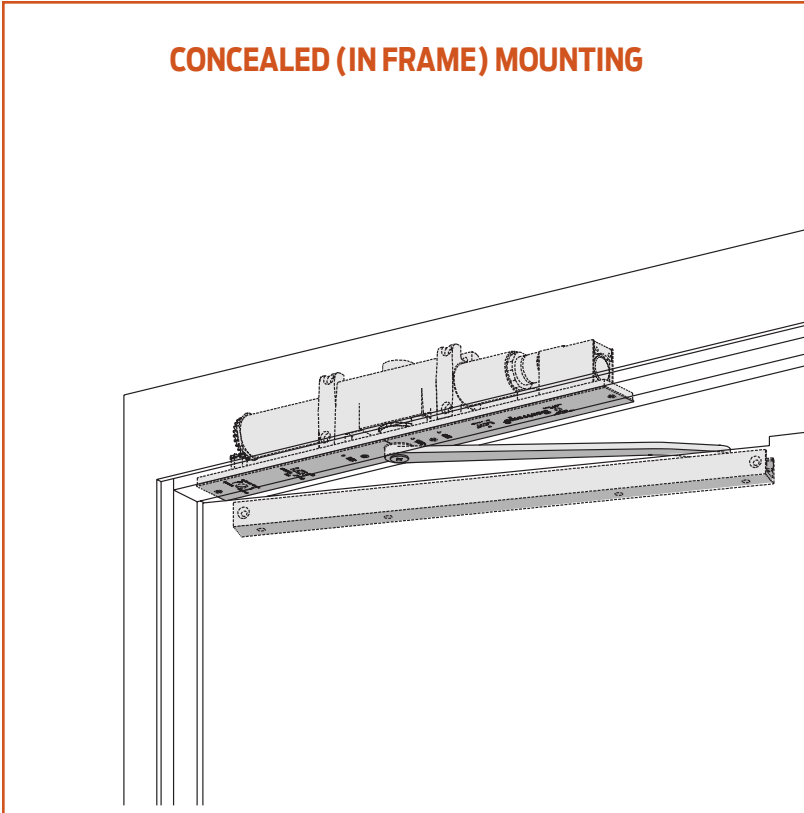


2310ME SERIES

CONCEALED (IN FRAME) MOUNTING



The 2310ME SENTRONIC® is a concealed heavy duty, electrically controlled closer/holder designed to provide infinitely adjustable hold-open for fire and smoke barrier doors. Door is held open until current interruption releases mechanism and the door closes. Single lever (track) arm closer is specifically designed for interior doors. Choice of finishes, cylinder functions, and installation accessories meet virtually all life safety requirements.

The 2310ME Series is UL & cUL listed for smoke barrier or labeled fire doors. Tested and certified under ANSI Standard A156.15. Conforms to life safety code, NFPA 101.

- Standard 2310ME Series closer shipped with either 24V or 120V cylinder (please specify), two piece metal finish plate, standard arm, track, and wood and machine screw pack. See 2310ME Series page 25 for options.
- Sized cylinders for interior doors to 4' 0".
- Functions as full rack and pinion door closer when hold-open is not engaged or current is interrupted.
- Handed for right or left swinging door.
- Built-in "On/Off" switch controls hold-open function.
- Interfaces with fire alarm systems.
- Standard or optional custom powder coated finish.
- Optional plated finish on arm, fasteners and finish plate.

MOUNTING					FINISH		COVER		CYLINDER			*ARM FUNCTION							
HINGE (PULL) SIDE	TOP JAMB (PUSH)	STOP FACE (PUSH)	CONCEALED (FRAME)	CONCEALED (DOOR)	POWDER COAT	PLATED	PLASTIC	METAL	HANDED	NON-SIZED	SIZED	SINGLE-POINT HOLD-OPEN	MULTI-POINT HOLD-OPEN	BYPASS 80/140	160°	STANDARD (SINGLE)	REGULAR (DOUBLE)	SWING FREE	DOUBLE EGRESS
<input type="radio"/>	<input type="radio"/>	<input type="radio"/>	<input checked="" type="radio"/>	<input type="radio"/>	<input checked="" type="radio"/>	<input checked="" type="radio"/>	<input type="radio"/>	<input type="radio"/>	<input checked="" type="radio"/>	<input type="radio"/>	<input checked="" type="radio"/>	<input checked="" type="radio"/>	<input checked="" type="radio"/>	<input checked="" type="radio"/>	<input type="radio"/>	<input type="radio"/>	<input type="radio"/>	<input type="radio"/>	<input type="radio"/>

● AVAILABLE
○ NOT AVAILABLE

* Maximum hold-open with standard template. See individual closer series for degrees of opening and hold-open per installation.

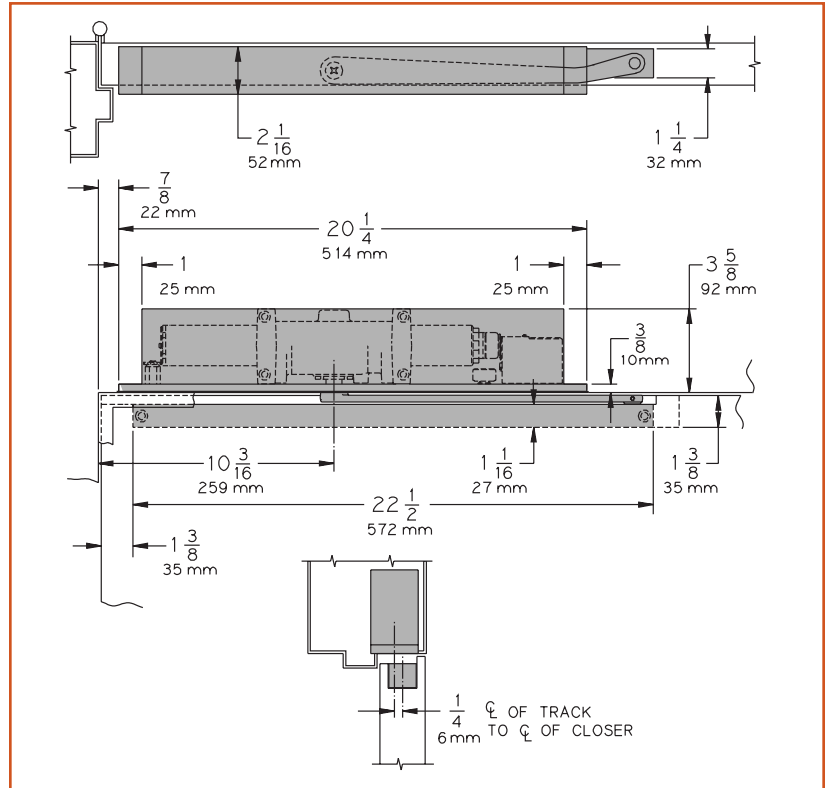
2310ME SERIES

CONCEALED MOUNTING

For interior smoke barrier and labeled fire doors.

MAXIMUM OPENING

Templating allows 180° with hold-open points up to 160°.



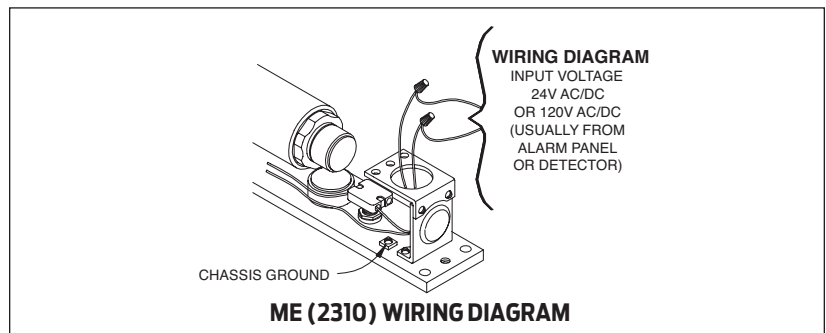
- **Butt Hinges** should not exceed 5" (127 mm) in width.
- **Top Rail** 1-3/8" (35 mm) mortise required.
5/16" (8 mm) cutout required at top of door, stop face only.
- **Door Thickness** 1-3/4" (44 mm) minimum.
- **Door Width** 2' 4" (711 mm) minimum.
- **Hollow Metal Frame** Requires minimum 4" (102 mm) x 4" frame.
Consult factory or template for preparation details.
- **Bypass** (suffix "B80" or "B140") eliminates hold-open function up to a specified point of door swing.
B80 cylinder from 0° to 80°.
B140 cylinder from 0° to 140°.
- **Wiring Diagram**

Options

- Hold-open bypass.
- 24V or 120 volt input, please specify.

Special Templates

Customized installation templates or products may be available to solve unusual applications. Contact LCN Product Support for assistance.



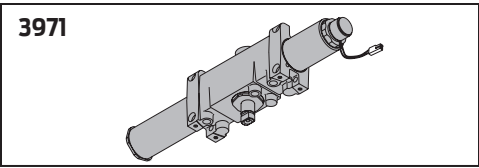
2310ME SERIES

ACCESSORIES

CYLINDER

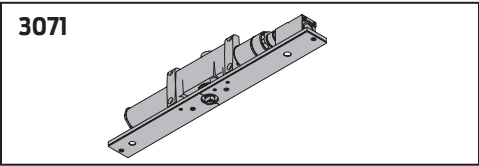
ME CYLINDER, 2310ME-3971

Standard, handed cast iron cylinder assembly. Specify 24V or 120V.



ME CYLINDER, 2310ME-3071

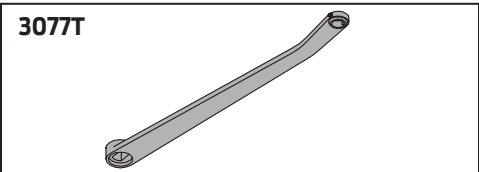
Standard, handed cylinder and mounting plate assembly. "On/Off" switch assembly controls the hold-open function. Circuitry accepts either AC or DC input. Specify 24V or 120V.



ARM

STANDARD ARM, 2310ME-3077T

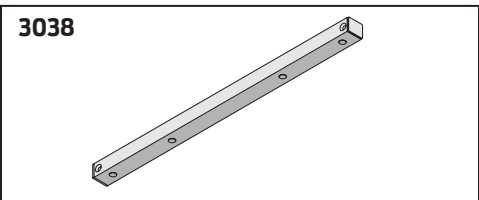
Handed arm.



TRACK

STANDARD TRACK, 2310ME-3038

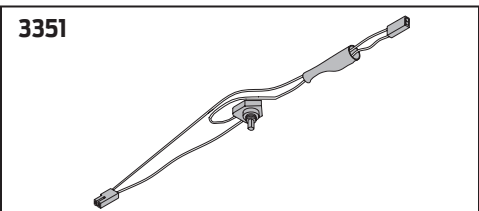
Standard, non-handed track.



SWITCH

SWITCH, 2310ME-3351

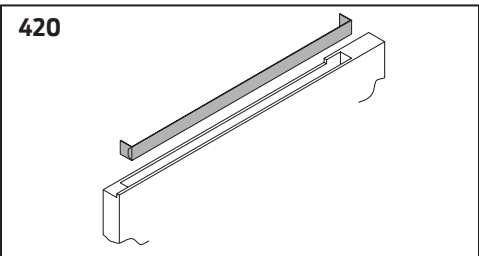
"On/Off" switch assembly provides continuous hold-open function. Available as 24V or 120V, please specify.



INSTALLATION ACCESSORIES

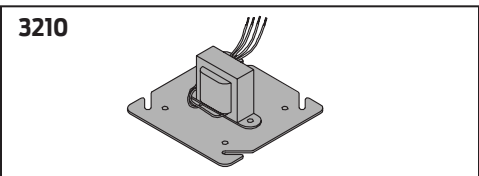
FIRE SHIELD, 2310ME-420

22 gauge steel liner mounts in the track mortise of the door's top rail for 20 minute labeled wood doors with hollow metal frames.



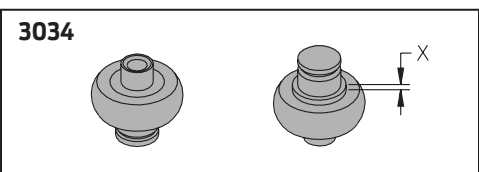
TRANSFORMER, 2310ME-3210

Reduces line voltage from 120V to 24V AC. Mounted on plate for 4" (102 mm) x 4" x 2-1/8" (54 mm) junction box (by others).



TRACK ROLLER, 2310ME-3034

Quiet, low friction roller assembly. Shoulder dimension "X" = 1/16" (2 mm).

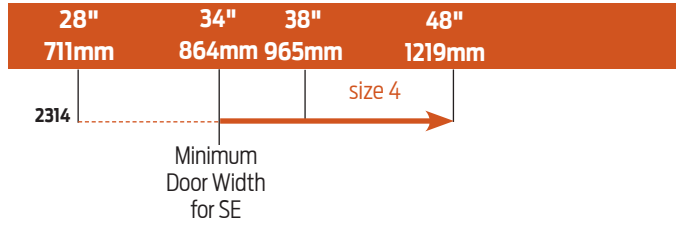


2310ME SERIES

TABLE OF SIZES

Closing power of 2314ME Series closers may be increased 15%.

INTERIOR DOOR WIDTH



→ Indicates recommended range of door width for closer size.

HOW-TO-ORDER 2310ME SERIES CLOSERS

1. SPECIFY HAND

- RH
- LH

2. VOLTAGE

- 24V AC/DC
- 120V AC/DC

3. SPECIFY FINISH

- Standard Powder Coat _____
Aluminum, Dark Bronze, Statuary,
Light Bronze, Black, Brass.

Closer will be shipped with:

- FINISH PLATES,
- STANDARD ARM,
- STANDARD TRACK,
- TRACK ROLLER,
- WOOD & MACHINE SCREW PACK,
unless options listed below are selected.

CLOSER OPTIONS

CYLINDER FUNCTION

- Bypass 80° (B80)
- Bypass 140° (B140)

FINISH

- Custom Powder Coat (RAL) _____
- Plated Finish, US _____

SCREW PACK

- TORX Machine Screw (TORX)

INSTALLATION ACCESSORIES

- Fire Shield, 2310ME-420
- Transformer, 2310ME-3210

SPECIAL TEMPLATE

- ST- _____