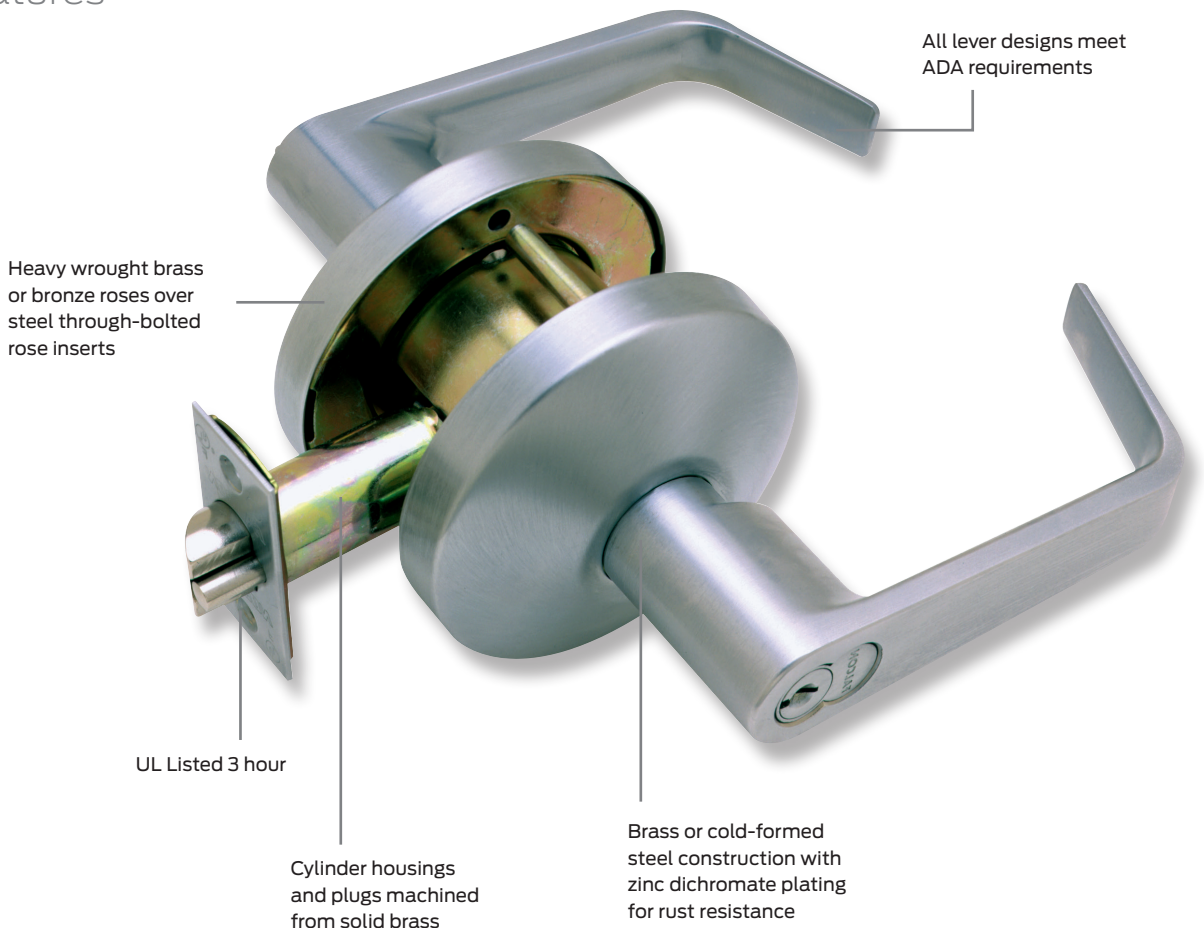


B Series

Grade 2, medium-duty cylindrical lever locks

When you need a tough, reliable lock at the right price point for a retail, industrial or multi-family project, you need a Falcon B Series lock. Our full line of Grade 2 locksets are a perfect replacement for existing locks, or a smart specification in new construction. With upgraded finishes, these locks deliver style as well as strength. Falcon B Series lock options include an interchangeable core that can be removed for quick, easy re-keying, and are compatible with SFIC products from other manufacturers. Most importantly, they're backed by one of the best names in the business.

Features



Specifications

B Series

Product specifications

ANSI/BHMA: Certified ANSI/BHMA A156.2, Series 4000, Grade 2.

UL: Listed for 3-hour fire door, A label.

Functions: 10 commercial functions available. See page 10 for details.

Finishes: 5 options available. See page 6 for finish color and comparative chart.

Door thickness: 1 ³/₈" to 2" standard. See price book for exceptions on communicating lock functions.

Backset: 2 ³/₄" standard. 2 ³/₈" and 5" also available (see price book).

Mechanism: Parts constructed of brass or cold formed steel, zinc plated and dichromated for rust resistance. Springs are stainless steel.

Attachment: Lock chassis secured to door by two screws which pass through a steel rose insert inside and thread directly into the outer rose mounting assembly.

Handing: Locks are non-handed.

Cylinders: Conventional cylinder, drilled with 6-pin chambers, pinned in 5 comes standard. Pinning in 6 chambers available (at no cost) when specified. Optional 7-pin conventional and 6- or 7-pin Small Format Interchangeable Core (SFIC) cylinders. Cylinder housings and plugs machined from solid brass. Springs are phosphor bronze. Two nickel silver keys furnished standard. See SFIC cylinder information on page 8 and B Series cylinder pages for additional options.

Keyways: "G" keyway standard on conventional cylinders. "A" keyway standard on SFIC cylinders. Additional options: Falcon, Schlage and many Best and Arrow keyways.

Trim: Roses are 3 ¹/₂" diameter, heavy wrought brass or bronze, installed over steel rose inserts which are through-bolted through door. Levers are pressure cast zinc (solid levers no inserts) material finished to match mating parts.

Latches: ¹/₂" bolt projection. UL (3-hour, A Label) listed. Latches have self-adjusting fronts to accommodate beveled or flat doors. 2 ³/₈" backset with 2 ¹/₄" x 1" latchfaces, 2 ³/₄" backset with 2 ¹/₄" x 1 ¹/₈" latchfaces. Deadlocking latches have a solid round bar stock DL bar preventing latch jamming and/or lock outs.

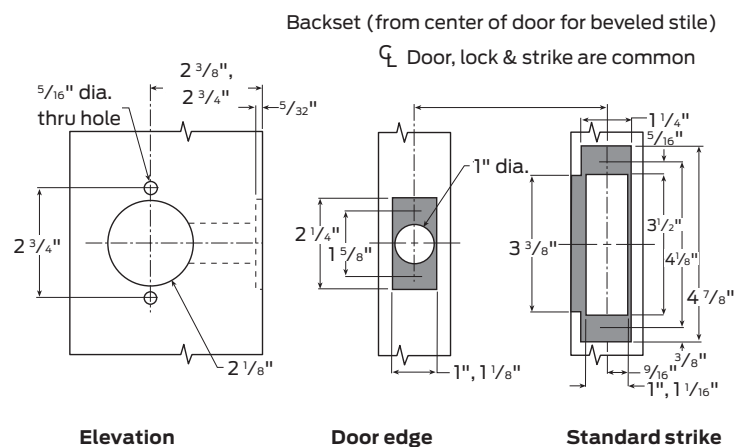
Strikes: 4 ⁷/₈" x 1 ¹/₄" ANSI strike with curved lip to meet ANSI A115.2 door frame preparation standard.

Screws: Furnished with combination screws for use in wood or metal doors and frames.

Architectural specifications

Key-in-lever cylindrical locksets shall be Falcon B Series or equal and meet the following requirements:

- All locks shall meet the ANSI/BHMA A156.2, Series 4000, Grade 2 test requirements for key-in-lever locksets.
- Locksets shall be UL Listed 3-hour, A Label.
- Lever trim shall have individual heavy-duty springs for lever return and to prevent lever sag. Trim shall be through-bolted with screws coated with thread sealant to provide strength and resistance to loosening.
- Roses shall be 3 ¹/₂" diameter.
- All lever designs shall be solid (no inserts) and meet the federal ADA and state disability requirements.
- Locksets shall adjust to fit door thickness from 1 ³/₈" to 2".
- All locksets shall be non-handed and not require field disassembly for re-handing.
- Preparation for door must be non-handed.
- Acceptable manufacturer: Falcon lock



Designs and styles

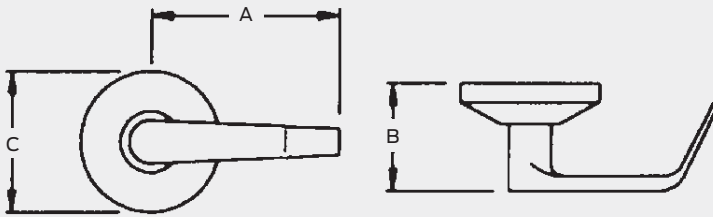
Lever styles

Levers are solid pressure cast zinc, finished to match mating parts. Roses are wrought brass or bronze installed over steel, through-bolted rose inserts. Levers are secured by a spring-loaded retainer. Retainer in keyed lever cannot be depressed without key.

Dane (D)



Quantum (Q)



Lever dimensions chart

Lever	A - width	B - projection	C - rose
Dane (D)	4 ⁵ / ₈ "	2 ⁵ / ₈ "	3 ¹ / ₂ "
Quantum (Q)	4 ⁵ / ₈ "	2 ⁵ / ₈ "	3 ¹ / ₂ "

Note: Return to door meets 1/2" requirement for Dane (D) and Quantum (Q) levers.

Abrasive strip levers

All levers are available with an abrasive strip along the inside length of the lever to identify entrances that may be to areas hazardous to the handicapped. To order, preface the design code with a 6 (example: 6D for Dane). Not available on 613 finish as abrasive strip will not hold.

Finishes

Available in BHMA 605, 606, 613, 625, and 626. See page 6 for finish color and comparative chart.

Cylinders

B Series cylinders

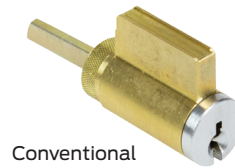
Falcon Small Format Interchangeable Core (SFIC) cylinders

Falcon offers a wide selection of keyways in SFIC cylinder formats. Master keying is available and, in most cases, Falcon can even furnish cores master keyed into existing Best or Arrow key systems. See page 8 for details.

Conventional cylinders (Falcon keyways)

Catalog number	Description
A23155-02	5-pin For use in all B Series except B611*
A23155-06	5-pin For use in B611*
A23165-02	6-pin For use in all B Series except B611*
A23165-06	6-pin For use in B611*

Note: The "G" keyway is standard and will be supplied unless otherwise specified.
Master keying is available for 2, 3, and 4 levels. Open keyways include E, H, K, L, and P.
If ordering cylinders as parts, specify finish: 606, 622 or 626.



Conventional cylinder

To order conventional cylinders in competitive keyways (6-pin)

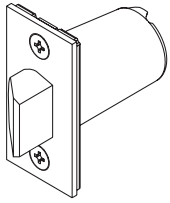
When specifying a competitive cylinder, reference How-to-order page for correct cylinder suffix and be sure to list brand plus keyway under the "Keyway" section and the correct part number below in the "Other Requirements" area of the part number order string.

Brand	Keyway	O-Bit	KA	KD	Lock function
Corbin	60	A23167-013	-	A23167-13D	All except 611
		A23167-011	-	A23167-11D	611
Corbin Russwin	L4	A23174-013	-	-	All except 611
		A23174-011	-	-	611
Russwin	D1	A23168-013	-	A23168-13D	All except 611
		A23168-011	-	A23168-11D	611
Sargent	LA	A23166-013	-	A23166-13D	All except 611
		A23166-011	-	A23166-11D	611
Schlage	C	A23160-013	A23160-13A	A23160-13D	All except 611
		A23160-011	A23160-11A	A23160-11D	611
	E	A23159-013	-	-	All except 611
		A23159-011	-	-	611
Yale	8 (Para)	A23169-013	-	A23169-13D	All except 611
		A23169-011	-	A23169-11D	611

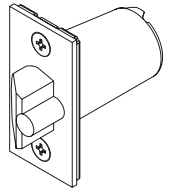
Note: Construction keying available. Reference page 9 for more information.

Options

Latches



1/2" projection



1/2" projection

Grade 1, UL listed

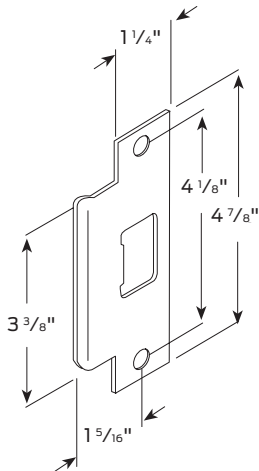
Specify	Backset	Function(s)	Description
57635	2 3/4"	301, 611	Square corner, 1 1/8" x 2 1/4", standard
57630	2 3/4"	301, 611	Square corner, 1" x 2 1/4"
57631	2 3/4"	301, 611	Radius corner (1/4"), 1" x 2 1/4"
57625	2 3/8"	301, 611	Square corner, 1 1/8" x 2 1/4"
57620	2 3/8"	301, 611	Square corner, 1" x 2 1/4"
57621	2 3/8"	301, 611	Radius corner (1/4"), 1" x 2 1/4"
57435	2 3/4"	All other	Square corner, 1 1/8" x 2 1/4"
57430	2 3/4"	All other	Square corner, 1" x 2 1/4"
57431	2 3/4"	All other	Radius corner (1/4"), 1" x 2 1/4"
57425	2 3/8"	All other	Square corner, 1 1/8" x 2 1/4"
57420	2 3/8"	All other	Square corner, 1" x 2 1/4"
57421	2 3/8"	All other	Radius corner (1/4"), 1" x 2 1/4"
A31727-005-00	5"	All functions	Backset extension link (use with 2 3/8" backset latches only)

Note: Specify finish - springlatches: 605, 613 or 630; deadlatches: 605, 612, 613 or 630. All latches for B Series locks are UL listed and have a 1/2" bolt projection.

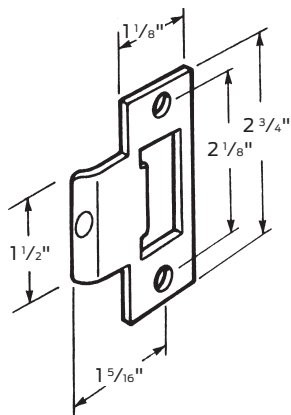
Springlatch or deadlatch

Strikes

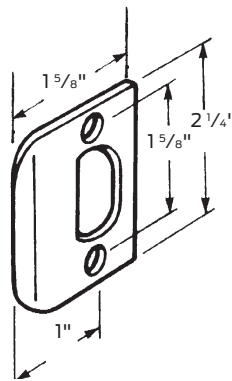
Locks furnished with a 1 1/4" x 4 7/8" ANSI Strike unless otherwise specified. Optional 1" deep ANSI steel dust box also available. Specify 005099-000-30.



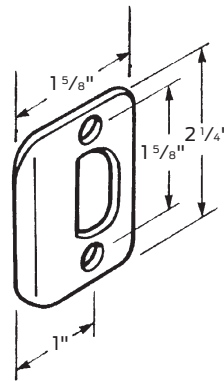
5164
ANSI prep A115.2 (standard)¹



01-046
T-strike square corner



01-049
Full lip, square corner



01-048
Full lip, 1/4" radius corner

1. For ANSI prep with 7/8" lip length order 5161.