

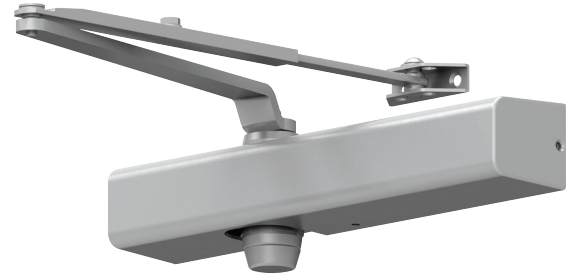
FALCON®

Surface mounted closer

SC80A Series

Overview

The SC80A Series is a medium-duty closer made for light- to medium-duty applications, both interior and exterior. It is ideal for side doors, closets and bathrooms in schools, retail shops, restaurants and small office buildings.



Cylinder

SC81A-3017

Single piece cast aluminum cylinder assembly

Handing

Non-handed

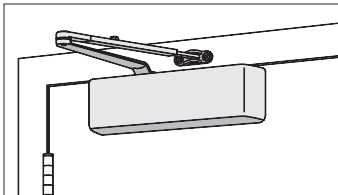
Sizing

Adjustable spring size 1-6

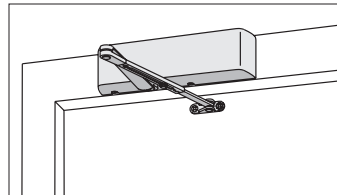
Available cylinder options

DEL	Delayed action cylinder
-----	-------------------------

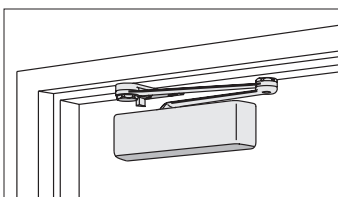
Mounting



Hinge (pull side)



Top jamb (push side)



Parallel arm (push side)

Finishes

Powder coat finishes



689
Aluminum



695
Dark Bronze



696
Brass

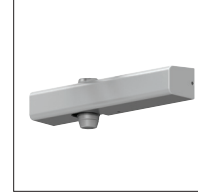
Metal plate finishes



622¹
Matte Black

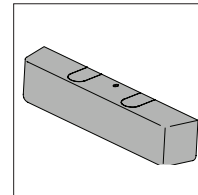
Covers

Standard cover



SC80A-72
Slim line plastic cover
▪ Non-handed

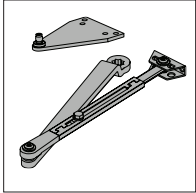
Optional cover



SC80A-72FC
Full plastic cover
▪ Non-handed
▪ Optional

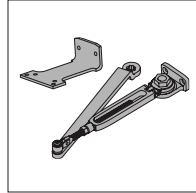
¹ Only available on standard cylinders and RW/PA, HW/PA, and DS arms

Arms



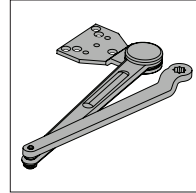
SC80A-3077PA
Regular arm

- Non-handed
- Adjustable arm with forearm assembly for range of door and frame reveal conditions
- Mounts hinge side, top jamb or parallel arm
- PA shoe allows install in a parallel arm configuration



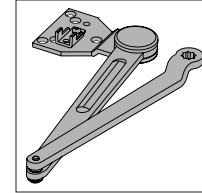
SC80A-3049PA
Hold-open regular arm

- Non-handed
- Hold open arm with adjustable forearm assembly for range of door and frame reveal conditions
- Mounts hinge side, top jamb or parallel arm
- PA shoe allows install in a parallel arm configuration
- Optional



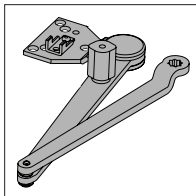
SC80A-3077HD
Heavy duty arm

- Non-handed
- Stamped, heavy duty, parallel arm for use in high-traffic applications
- Optional



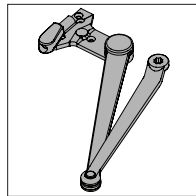
SC80A-3077DS
Dead stop arm

- Non-handed
- Stamped, heavy duty, parallel arm
- Includes positive mechanical stop and non-adjustable forearm assembly for potentially abusive installations
- Optional



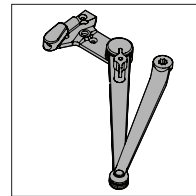
SC80A-3049DS
Dead stop hold-open arm

- Non-handed
- Stamped, heavy duty, hold-open parallel arm
- Includes positive mechanical stop and non-adjustable forearm assembly for potentially abusive installations
- Includes manually selective hold-open function
- Optional



SC80A-3077SS
Spring-n-stop arm

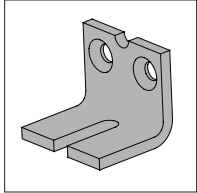
- Non-handed
- Extra heavy-duty, forged parallel arm
- Integral spring stop and non-adjustable forearm assembly for potentially abusive installation conditions
- Optional



SC80A-3049SS
Spring-n-stop hold-open arm

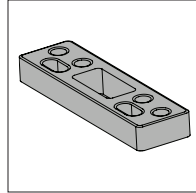
- Non-handed
- Extra heavy-duty, forged parallel arm
- Integral spring stop and non-adjustable forearm assembly for potentially abusive installation conditions
- Includes manually selective hold-open function
- Optional

Installation accessories



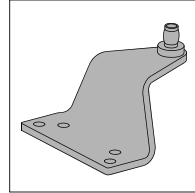
SC80A-30
Soffit shoe support

- Anchorage for fifth screw used with soffit shoe, where reveal is less than $3\frac{1}{16}$ " (78mm)



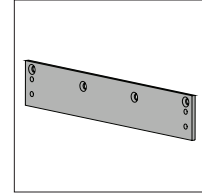
SC80A-61
Blade stop spacer

- Required to lower parallel arm shoe to clear $\frac{1}{2}$ " (13mm) blade stop



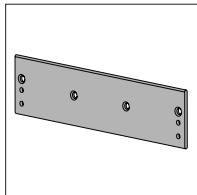
SC80A-62A
Auxiliary shoe

- Requires top rail of 7" (178mm)
- PA shoe replacement for parallel arm mounting of regular arm with overhead holder/stop
- Optional



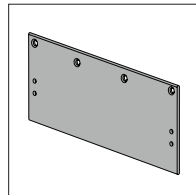
SC80A-18
Plate

- Required for top jamb mounting where head frame is less than $1\frac{3}{4}$ " (44mm) or flush ceiling conditions exists



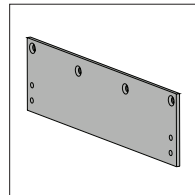
SC80A-18FC
Plate

- Required for top jamb mounting where head frame is less than $1\frac{3}{4}$ " (44mm) or flush ceiling conditions exist
- Use with SC80A-72FC full cover



SC80A-18PA
Plate

- Required for parallel arm mounting where top rail is less than $4\frac{3}{8}$ " (111mm), measured from the stop
- Plate requires $1\frac{7}{8}$ " (48mm) minimum top rail, measured from stop



SC80A-18PAFC
Plate

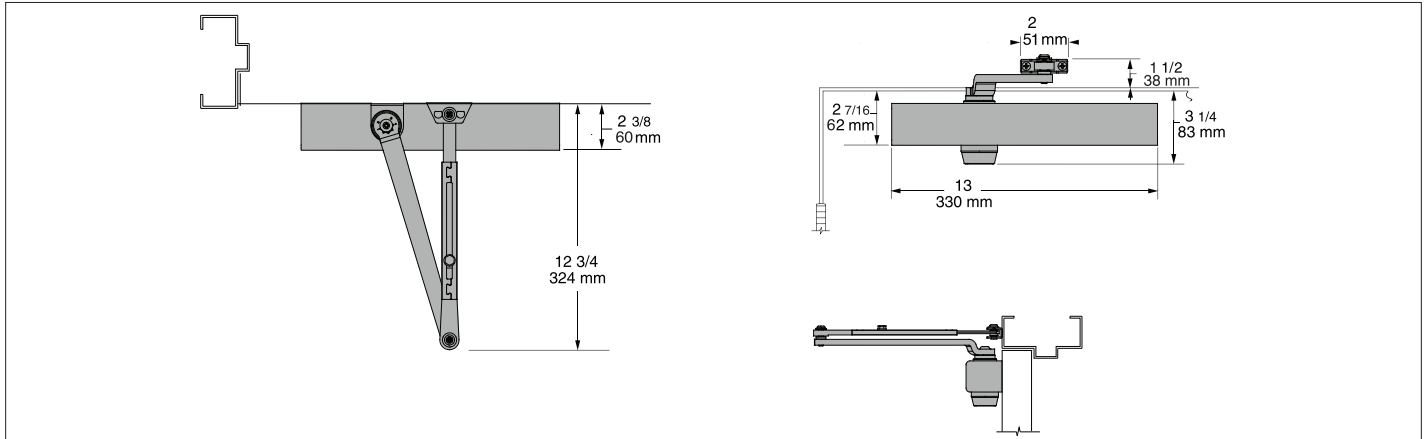
- Required for parallel arm mounting where top rail is less than $4\frac{3}{8}$ " (111mm), measured from the stop
- Plate requires $1\frac{7}{8}$ " (48mm) minimum top rail, measured from stop
- Use with SC80A-72FC full cover

Fasteners

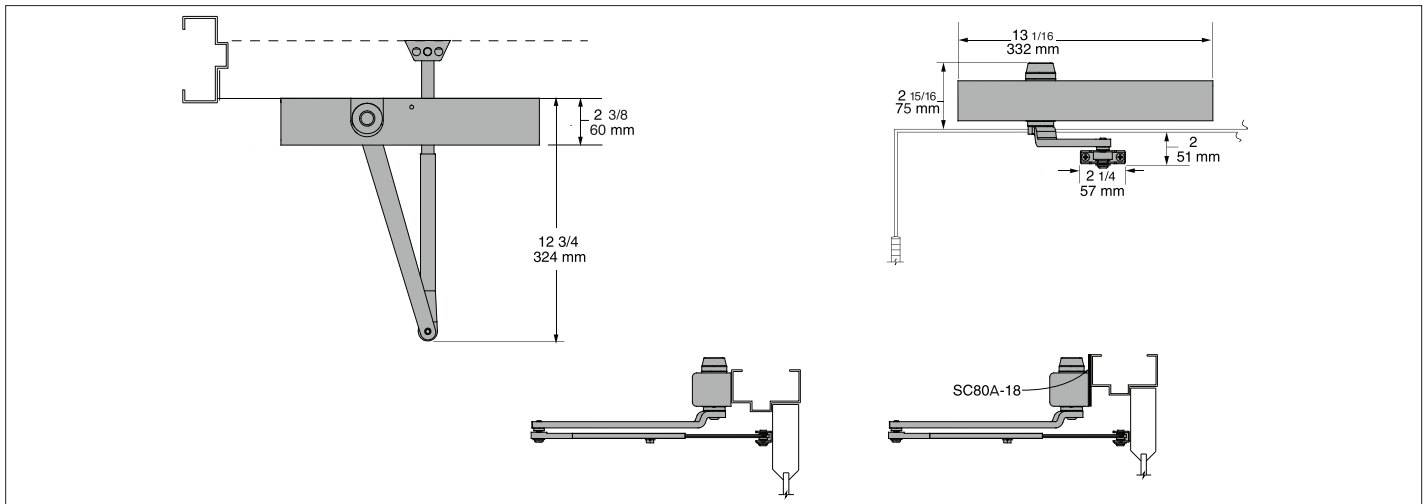
Comes standard with universal screw pack (UNIV), including self reaming and tapping screws

Dimensions and mounting

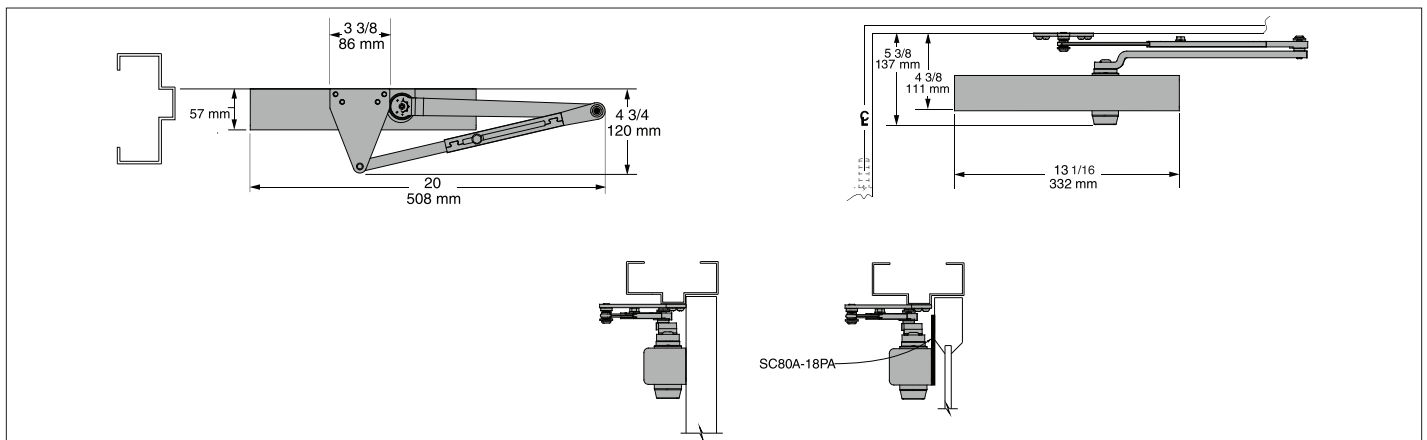
SC80A Series hinge (pull side)



SC80A Series top jamb (push side)

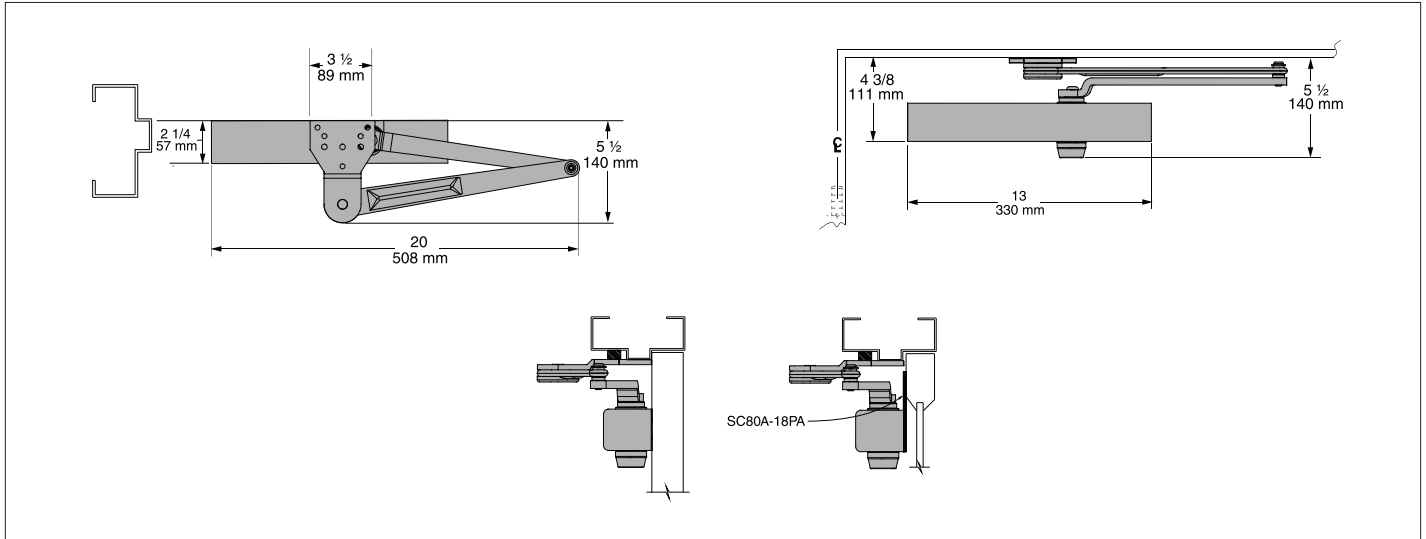


SC80A Series parallel (push side)

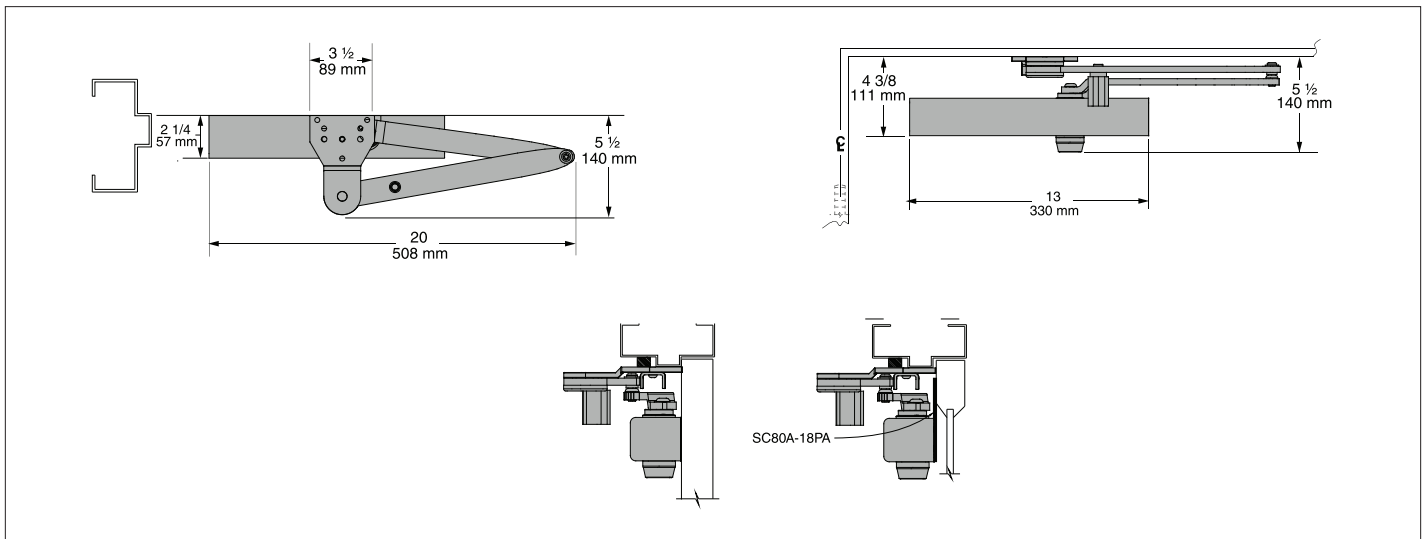


Dimensions and mounting

SC80A Series heavy duty (parallel)



SC80A Series dead stop HO (parallel)



Specifications

Accessibility	Available with less than 5.0 lbs. opening force on 36" door
Certifications/ approvals	<ul style="list-style-type: none">▪ Grade 1 ANSI/BHMA A156.4▪ UL10C and UBC 7-2 (1997)▪ Cover is UL approved for use in fire rated assemblies▪ Meets the American Disabilities Act (ADA)
Degree of operation	<p>Hinge (pull side) mount</p> <p>Max opening: 180°</p> <p>Hold open: Hold Open point is adjustable, up to 180°</p> <p>Top jam (push side) mount</p> <p>Max opening: 180°</p> <p>Hold open: Adjustable up to 180°</p> <p>Parallel arm</p> <p>Max opening: 180°</p> <p>Hold open: Adjustable up to 180°</p> <p>Heavy duty arm</p> <p>Max opening: 180°</p> <p>Hold open: "Heavy Duty" hold open is not available.</p> <p>Dead stop HO arm</p> <p>Max opening: 110°</p> <p>Hold open: 110° or 90° (based on installation template, not adjustable)</p>
Environmental conditions	<ul style="list-style-type: none">▪ Approved for interior use▪ Standard all weather fluid▪ Separate adjustable general speed, latch speed and backcheck
Warranty	10 years
Standard features	<ul style="list-style-type: none">▪ Single piece cast aluminum body▪ 1 1/4" diameter heat treated steel piston▪ Heat-treated pinion