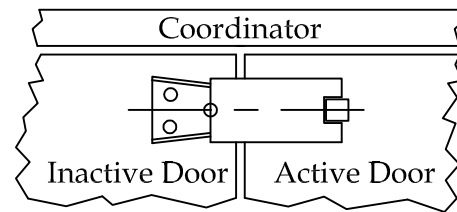


Door Coordinators

3760 - Carry Bar

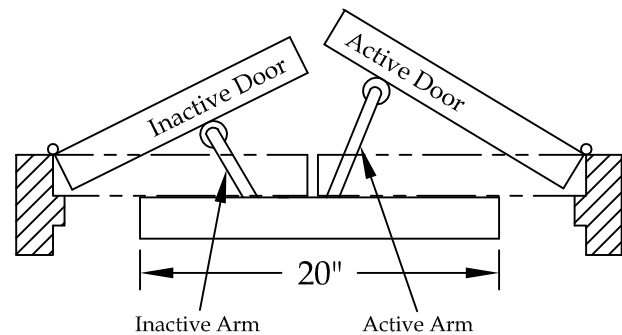
- Used to prevent damage on doors and other hardware when inactive door can be opened before active door
- For use with 3700 Full Bar Coordinator or 3790 Gravity Coordinator
- Mounts on inactive door
- Not required when using flush bolts
- Standard finish = USP - Primed, black matte. Contact factory for custom finishes



3760

3780 - Universal Coordinator

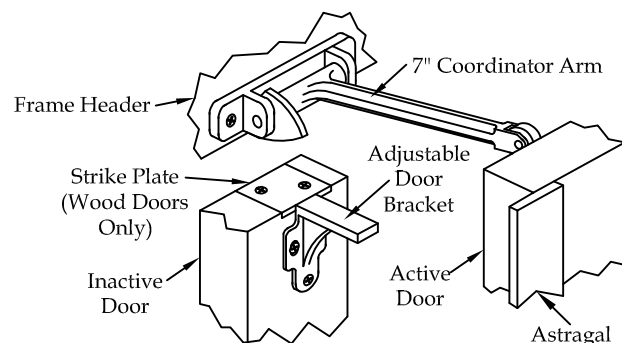
- For pair of doors up to 8' wide
- The long arm holds the active door open until the short arm is depressed by the inactive door
- Stop mounted - mounting brackets not required
- Standard finish = USP - Primed, black matte. Contact factory for custom finishes
- Meets or exceeds ANSI 156.3, Type 21 requirements (when used with carry bar)
- Mounting brackets not required when using stop mounted hardware
- UL Listed for use with a pair of swinging fire doors incorporating an astragal for up to and including 3 hours
- Not for use with exposed vertical rod panic devices
- US Patent No. 6,250,014



3780

3790 - Gravity Coordinator

- Roller arm stops active door from closing before inactive door
- Active door up to and including 4'0" wide
- Inactive door up to and including 3'4" wide
- Both doors over 2'10" wide
- Closing of inactive door causes the strike plate on top of the door to lift the arm and close the active door. As inactive door closes, the nylon roller lifts the coordinator arm.
- Gravity arm and door bracket are field-adjustable for installation ease
- UL Listed for use with a pair of swinging fire doors incorporating an astragal for up to and including 3 hours
- Standard finish = US32D - satin stainless steel. Contact factory for custom finishes



3790

