

Pocket Pivots

0519 – Pocket Door Pivot

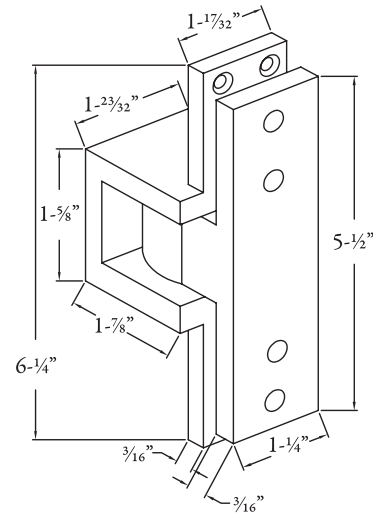
Meets or exceeds
ANSI C07611

Standard Features

- Pivot point is located inside the frame
- Allows door to swing into a pocket in the frame at a right angle
- When the door is in the pocket, it is completely clear of the door opening and flush with adjacent wall
- Maximum door swing is 90°
- Minimum three pocket pivots per door 60" - 90" tall
- Add one pocket pivot for each additional 30" door height
- Maximum door load per pivot - 90 pounds
- Non-handed
- UL listed for use on 3-hour fire rated doors - **Standard**
- Heavy duty stainless steel needle bearings
- Stainless steel base material

Options

- SEC - Security fasteners



E0519 – Electrified Pocket Door Pivot

Standard Features

- Pivot point is located inside the frame
- Allows door to swing into a pocket in the frame at a right angle
- When the door is in the pocket, it is completely clear of the door opening and flush with adjacent wall
- Maximum door swing is 90°
- Maximum door load per pivot - 90 pounds
- Non-handed
- UL listed for use on 3-hour fire rated doors - **Standard**
- Heavy duty stainless steel needle bearings
- Stainless steel base material

Options

- EZ - EZ Connect Molex® Connectors for installation ease
- SEC - Security fasteners

